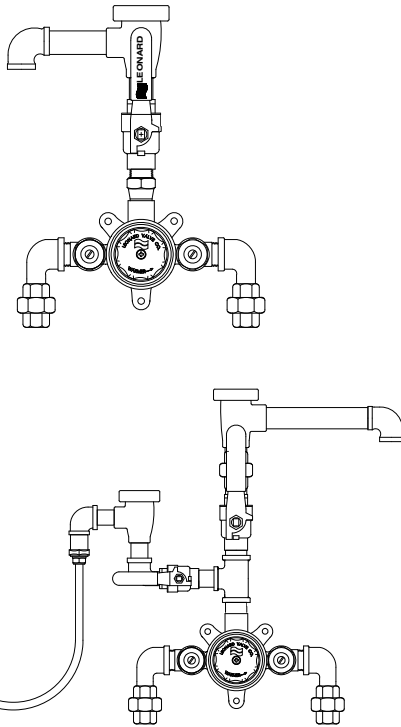


Thermostatic MIXING VALVES



Engineer's Approval	Job # _____
	Arch/Eng. _____
	Contractor _____

CAUTION! All thermostatic water mixing valves have limitations. They will NOT provide the desired accuracy outside of their flow capacity range. Consult the Flow Capacity Chart and DO NOT OVERSIZE. Minimum flow must be no less than as indicated.

Note: Leonard Valve Company reserves the right of product, or design modifications without notice or obligation.

****NOTE:** For temperatures outside of this valve's stated range, please see our line of bi-metal valves.

Hydrotherapy Control Units

Whirlpool Bath

Arm-Leg-Hip-Lower Lumbar Bath

LV-356-____

__LV-356-10 1/2" inlets and outlet

__LV-356-20 3/4" inlets and outlet *

- Thermostatic Water Mixing Valve with 1.5 GPM (3.7 l/min) minimum flow capacity
 - Integral combination checkstops with wall support
 - 125 PSI (8.6 BAR) maximum operating pressure
 - Copper encapsulated thermostatic assembly with Teflon coated stainless steel shuttle
 - Locking temperature regulating handle
 - Internal parts of brass, bronze and stainless steel
 - Outlet volume control / shutoff, vacuum breaker
 - Factory assembled and tested
 - Chrome plated finish only
 - Temperature adjustment range, 90-140°F (32-60°C) **
 - See Flow Capacity Chart to select correct size
- Complies with ASSE 1017

__LV-356-20*

- Thermostatic Water Mixing Valve with 1.0 GPM (3.8 l/min) minimum flow capacity
- 3/4" inlets, 3/4" outlet (19 mm x 19mm)
- See Flow Capacity Chart
- Same features & settings as above

__LV-356-10-W/HA

- Extra 1/2" hose attachment
- Ball valve shutoff
- Vacuum breaker
- 9 feet (2.7m) of 3/8" rubber hose, rose spray, wall hook
- Chrome plated finish only
- Factory assembled and tested

__LV-356-20-W/HA*

- Thermostatic Water Mixing Valve with 1.0 GPM (3.8 l/min) minimum flow capacity
- 3/4" inlets, 3/4" outlet (19 mm x 19mm)
- See Flow Capacity Chart
- Same features & settings as above

* Valve is ASSE 1017 Certified



* Valve is CUPC Certified



OPTIONS:

__SUFFIX DT - Dial thermometer



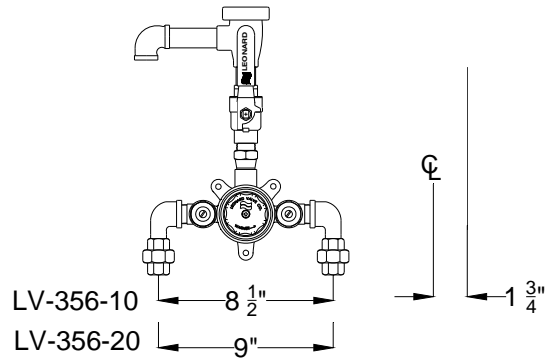
1360 Elmwood Avenue, Cranston, RI 02910 USA

Phone: 401.461.1200 Fax: 401.941.5310

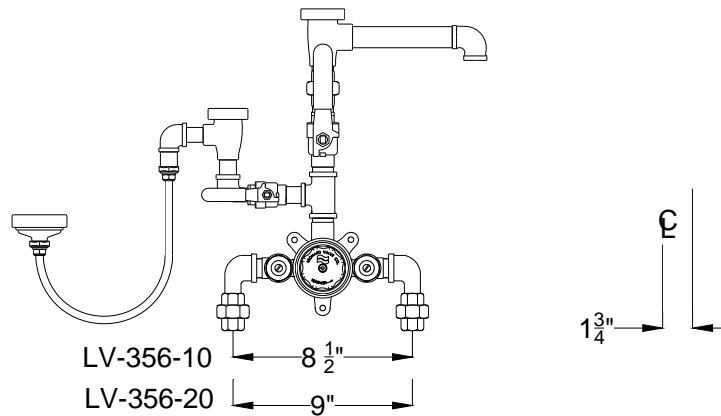
Email: info@leonardvalve.com

Web Site: <http://www.leonardvalve.com>

LV-356-10 & 20



LV-356-10 & 20 W/HA



MODEL	IN	OUT	MINIMUM FLOW (GPM) (l/min)	SYSTEM PRESSURE DROP (PSIG)										
				5	10	15	20	25	30	35	40	45	50	PSI
				,3	.7	.97	1.4	1.7	2.1	2.4	2.8	3.1	3.4	BAR
LV-356-10	1/2"	1/2"	1.5 (3.8)	4	6	7.5	8.8	10	11	12	13	14	15	GPM
				15	23	28	33	38	42	46	49	53	57	l/min
LV-356-20	3/4"	3/4"	1.0 (3.8)	6	9	12	14	16	18	20	22	24	25	GPM
				23	34	45	53	61	68	76	83	89	95	l/min



1360 Elmwood Avenue, Cranston, RI 02910 USA

Phone: 401.461.1200 Fax: 401.941.5310

Email: info@leonardvalve.com

Web Site: <http://www.leonardvalve.com>