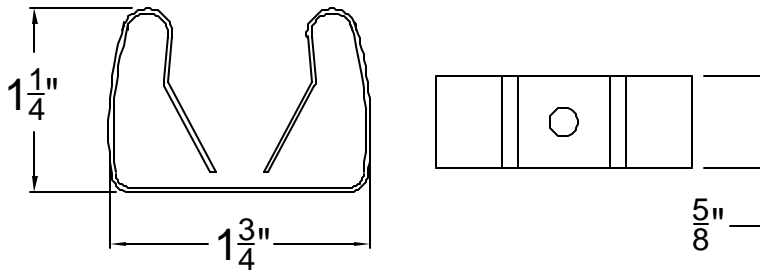
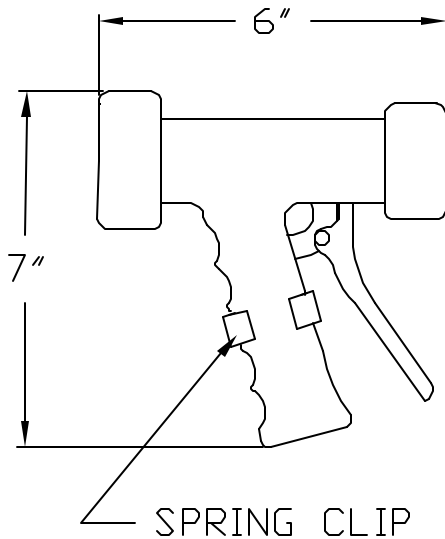


N-2BR NOZZLE CLIP



N-2BR NOZZLE CLIP

Leonard spring clip holder (Zinc plated) for use with N2 hose nozzle. Screw and shield supplied for mounting. Note: N-2 nozzle not included.



Engineer's Approval	Job # _____
	Arch/Eng. _____
	Contractor _____