

Location:



P8400

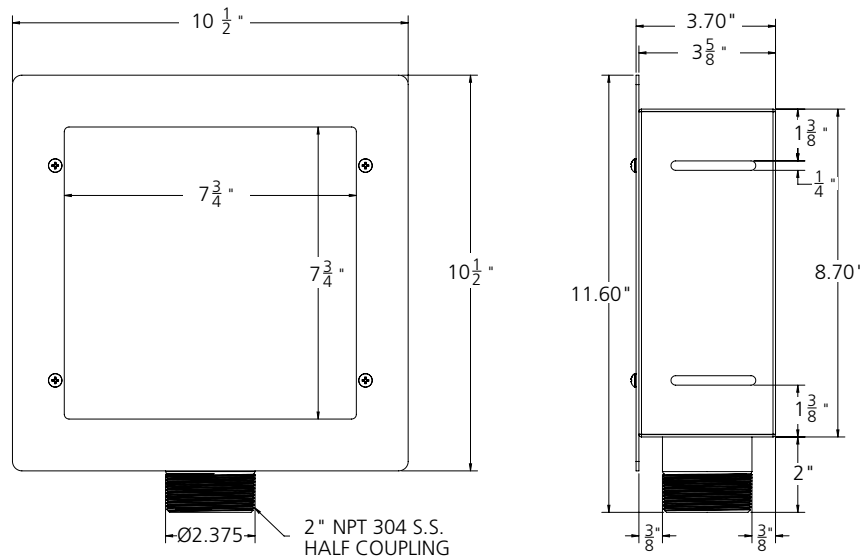
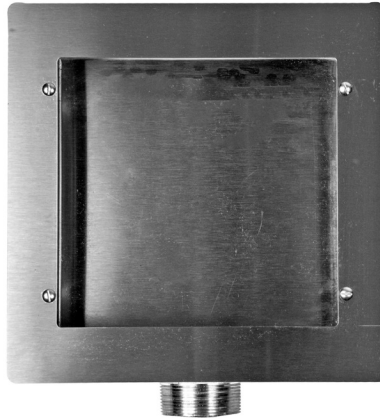
**Stainless Steel Fabricated
Washing Machine Box**

SPECIFICATION:

MIFAB® Series P8400 washing machine box manufactured out of 16 gauge, Type 304 stainless steel with mounting tabs and 2" NPT bottom outlet (Specify -90 for side inlet and -91 for top inlet).

FUNCTION:

Used to house the controls required to operate washing machines. Stainless steel construction will reduce corrosion.



MODEL NUMBER	DESCRIPTION
P8400	Type 304, Stainless Steel Washing Machine Box
P8400-29	Type 316, Stainless Steel Washing Machine Box

SUFFIX	OPTIONAL VARIATIONS	DESCRIPTION
	-90	90 Degree Outlet
	-91	Intlet on the top

Job Name:

Section No:

Schedule No:

Page No:

Contract:

Purchase Order No: