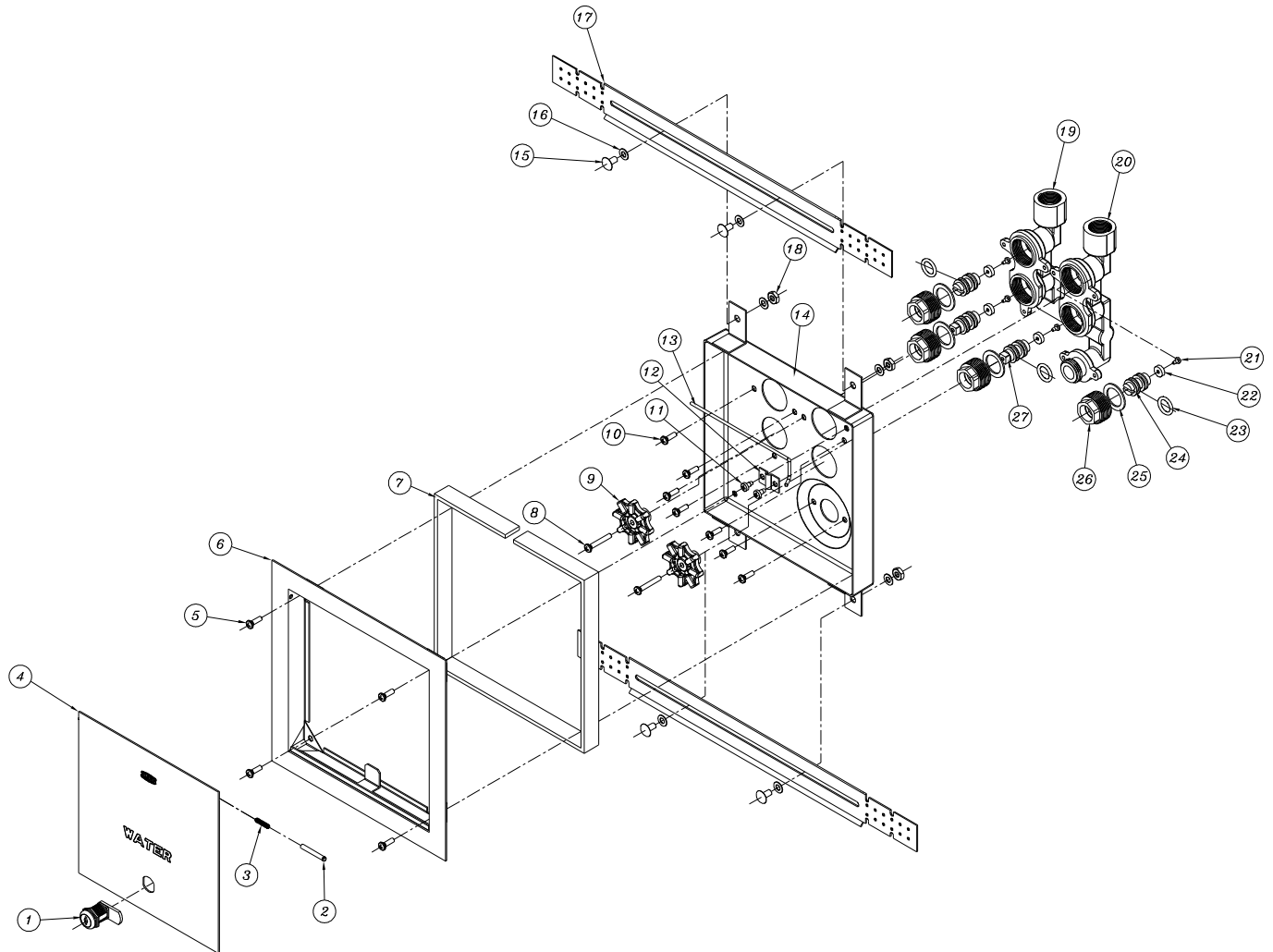




# Z1327-EZ WALL HYDRANT ASSEMBLY



LIST OF MATERIAL			
IT.	QTY	PART NO.	DESCRIPTION
1	1	47153-001	CYLINDER LOCK
2	1	82435-001	HINGE PIN
3	1	54027-001	SPRING
4	1	82417-001	COVER
5	4	56447-043	#10-24 X 5/8 RHMS
6	1	82431-001	FRAME ASSEMBLY
7	1	82242-001	GASKET
8	2	56447-045	#10-24 X 7/8 RHMS
9	2	82089-001	OPERATING HANDLE
10	7	56447-042	#10-24 X 1/2 RHMS
11	2	56447-041	#10-24 X 3/8 RHMS
12	1	82428-001	DOOR SUPPORT HINGE
13	1	82429-001	DOOR SUPPORT
14	1	82427-001	HYDRANT BOX

LIST OF MATERIAL				
IT.	QTY	PART NO.	DESCRIPTION	
15	4	56794-004	1/4-20 X 3/4 PHMS	
16	8	14858-001	1/4 NOM. WASHER	
17	2	67098-001	BRACKET	
18	4	14850-003	1/4-20 HEX JAM NUT	
19	1	67335-001	BODY	
20	1	67336-001	OUTLET BODY	
*	21	4	14853-016	6-32 X 3/8 RHMS
*	22	4	56513-001	TEFLON WASHER
*	23	4	23750-313	13/16 O.D. O-RING
*	24	2	56512-002	STOP PLUNGER
	25	4	23444-076	PACKING NUT SEAL
	26	4	82107-001	PACKING NUT
*	27	2	56512-003	OPERATING PLUNGER

\* ITEMS ARE AVAILABLE IN -RK REPAIR KIT OPTION BAG #66955-178-9.

**Form # H41      Date: 12/14/06      C.N. No. 95959      Rev. A**