



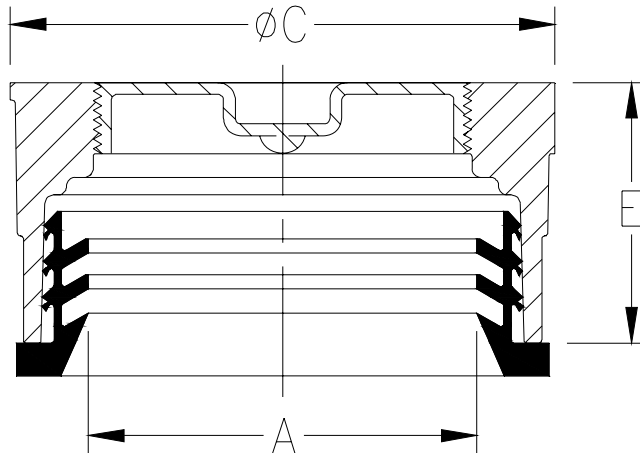
Z1403

Floor Cleanout w/ Countersunk Plug

SPECIFICATION SHEET

TAG _____

Dimensional Data (inches and [mm]) are Subject to Manufacturing Tolerances and Change Without Notice



Dimensions In Inches				Approx. Wt. Lbs. [kg]
A-Pipe Size		C	E	
NL	NH			
2 [51]	3 [76]	3 3/4 [95]	2 3/4 [70]	3 [1]
3 [76]	4 [120]	4 3/4 [121]	2 3/4 [70]	5 [2]
4 [102]	---	5 3/4 [146]	2 3/4 [70]	7 [3]
5 [127]	6 [152]	6 7/8 [175]	3 5/8 [92]	11 [5]
6 [152]	---	7 7/8 [200]	3 5/8 [92]	13 [6]
8 [203]	8 [203]	8 7/8 [225]	3 5/8 [92]	17 [8]

ENGINEERING SPECIFICATION: ZURN Z1403
Non-adjustable floor cleanout with Dura-Coated cast iron body and ABS taper threaded plug.

PIPE SIZE

3 thru 6 - 8 [76 thru 152 - 203]
2 thru 6 - 8 [51 thru 152 - 203]

(Specify size/type) **OUTLET**

_____ NH No-Hub
_____ NL Neo-Loc

'E' BODY HT. DIM.

See Chart
See Chart

SUFFIXES

_____ -BP Bronze Plug
_____ -G Galvanized Cast Iron

REV.	DATE: 6/8/09	C.N. NO. 120059
DWG. NO. 84224		PRODUCT NO. Z1403

*REGULARLY FURNISHED UNLESS OTHERWISE SPECIFIED