



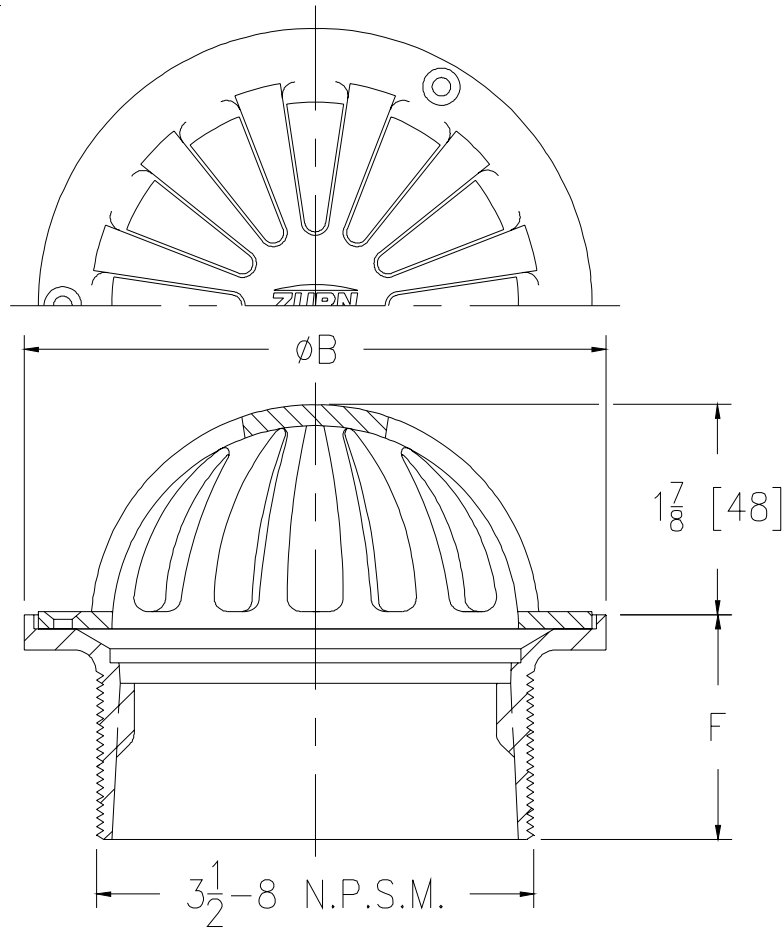
# Z400G

SPECIFICATION SHEET

## "TYPE G" ROUND STRAINER W/ DOME

TAG \_\_\_\_\_

Dimensional Data (inches and [ mm ]) are Subject to Manufacturing Tolerances and Change Without Notice



Strainer Designation	Dimension in Inches		Approx. Wt. Lbs. [kg]	Open Area Sq. In. [cm <sup>2</sup> ]
	Size B	Height F		
-5G	5 [127]	2 [51]	2 [1]	15 [97]
-6G	6 [152]	2-1/4 [57]	4 [2]	

**ENGINEERING SPECIFICATION:** ZURN Z( )400G "TYPE G" round adjustable strainer top with secured slotted dome strainer. (Specify ZB or ZN finish)

**OPTIONS** (Check/specify appropriate options)

**PREFIXES**

- \_\_\_\_ ZB Polished Bronze Top
- \_\_\_\_ ZN Polished Nickel Bronze Top

**SUFFIXES**

- \_\_\_\_ -BS Bronze Mesh Screen Over Dome
- \_\_\_\_ -CP Chrome Plated Bronze Top
- \_\_\_\_ -SS Stainless Mesh Screen Over Dome
- \_\_\_\_ -V Backwater Valve
- \_\_\_\_ -VP Vandal-Proof Secured Top
- \_\_\_\_ -Y Sediment Bucket

REV. E	DATE: 11/08/10	C.N. NO. 120303
DWG. NO. 59325	PRODUCT NO. Z400G	