



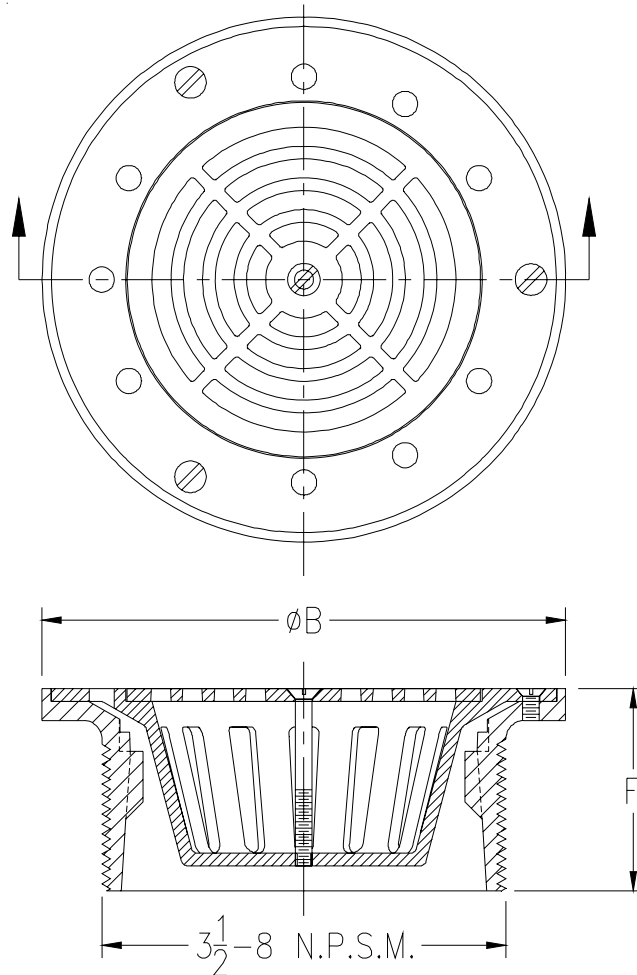
Z400M

SPECIFICATION SHEET

"TYPE M" ROUND STRAINER W/ SLOTTED OPENINGS & "SUR-SET" BUCKET

TAG _____

Dimensional Data (inches and [mm]) are Subject to Manufacturing Tolerances and Change Without Notice



Strainer Designation	Dimension in Inches		Approx. Wt. Lbs. [Kg.]	Open Area Sq. In. [Cm ²]
	Size B	Height F		
-5M	5 [127]	2 [51]	2 [1]	4.5 [29]

ENGINEERING SPECIFICATION: ZURN Z()400M
 "TYPE M" round adjustable light-duty strainer top with slotted heel-proof openings, secured grate and "SUR-SET" bucket.
 (Specify ZB or ZN finish)

OPTIONS (Check/specify appropriate options)

PREFIXES

- ___ ZB Polished Bronze Top
- ___ ZN Polished Nickel Bronze Top

SUFFIXES

- ___ -CP Chrome Plated Bronze Top
- ___ -DP Decorative Polished Top
- ___ -EF 3/8 [10] Extension Frame
- ___ -VP Vandal-Proof Secured Top

REV. B	DATE: 11/08/10	C.N. NO. 120308
DWG. NO. 67677	PRODUCT NO. Z400M	