



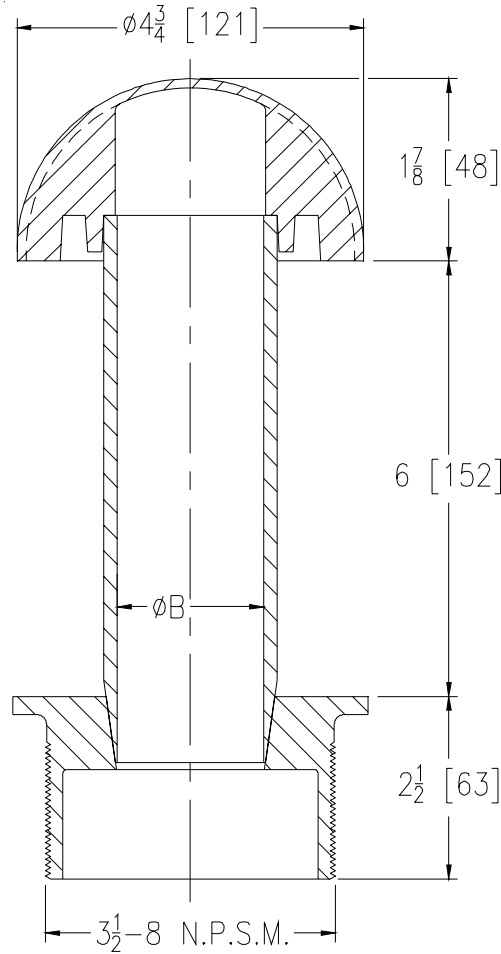
# Z400P

SPECIFICATION SHEET

## "TYPE P" OVERFLOW STRAINER W/ DOME TOP

TAG \_\_\_\_\_

Dimensional Data (inches and [ mm ]) are Subject to Manufacturing Tolerances and Change Without Notice



Strainer Designation	Top Size Inches B	Approx. Wt. Lbs. [kg]	Open Area Sq. In. [cm <sup>2</sup> ]
-2P	2 [51]	6 [3]	3 [19]
-3P	3 [76]	8 [4]	7 [45]

**ENGINEERING SPECIFICATION: ZURN Z( )400P**  
 "TYPE P" round adjustable strainer top with 6 [152] high solid standpipe and polished dome.  
 (Specify ZB or ZN finish)

**OPTIONS** (Check/specify appropriate options)

**PREFIXES**

- \_\_\_ ZB Polished Bronze Top
- \_\_\_ ZN Polished Nickel Bronze Top

**SUFFIXES**

- \_\_\_ -LD (Less) Dome
- \_\_\_ -PS Perforated Standpipe
- \_\_\_ -SD Longer Standpipe (Specify Height Required)
- \_\_\_ -SS Stainless Mesh Screen Over Dome & Standpipe

REV. E	DATE: 11/08/10	C.N. NO. 120311
DWG. NO. 59332	PRODUCT NO. Z400P	