

AQUASPEC[®] FAUCETS

MODEL - Z82500 SERIES
SINGLE HOLE LABORATORY FAUCET



TECHNICAL INFORMATION

FLOW: 2.2 GPM [8.3 L] PRESSURE COMPENSATING AERATOR *

MAXIMUM PRESSURE: 125 PSI

MAXIMUM TEMPERATURE: 180° F

HANDLE NUT TORQUE: 15-20 FT - LBS.

CARTRIDGE STYLE: QUARTER TURN CERAMIC DISK

* OTHER AERATORS AVAILABLE BY REQUEST

INSTALLATION INSTRUCTIONS

1. REMOVE FAUCET BODY FROM CARTON AND INSTALL GASKET (ITEM #4A) ON SHANK.
2. OPTIONAL ANTI-ROTATION PINS (-AR), THREAD ANTI-ROTATION PINS INTO THE THREADED HOLES ON THE UNDER SIDE OF THE SINGLE LAB BODY. SEE PAGE 2 FOR ROUGH-IN DIMENSIONS TO ACCOMMODATE THE (-AR) OPTION.
3. PLACE FAUCET ON SINK, PLACE LOCK WASHER (ITEM #4B) ON SHANK AND SECURE WITH PLASTIC MOUNTING NUT (ITEM #4C).
4. HAND TIGHTEN MOUNTING NUT FROM UNDER SINK. MAKE SURE FAUCET IS CENTERED PROPERLY.
DO NOT OVER TIGHTEN.
5. ATTACH LAVATORY SUPPLY TO FAUCET WITH RISER NUT (ITEM #4D).
6. INSTALL SPOUT INTO BASE AND TIGHTEN NUT (SEE VIEWS FOR SWING/RIGID CONNECTION).
7. OPTIONAL GRID STRAINER (-G)/HANDICAP OFFSET GRID DRAIN (-GH)
INSTALL GRID STRAINER IN SINK OUTLET AND PLUMB WASTE CONNECTION.
8. TURN SUPPLY WATER ON AND OPERATE FAUCET CHECKING FOR LEAKS.
9. IT MAY BE NECESSARY TO SHUT WATER OFF AND REMOVE CARTRIDGE TO CLEAN SUPPLY LINE. CARTRIDGE CAN BE REMOVED BY FIRST REMOVING THE HANDLE. COLOR INDEX CAN BE REMOVED BY INSERTING A PIN INTO THE HOLE ON THE UNDERSIDE OF THE HANDLE. AFTER THE HANDLE HAS BEEN REMOVED, UNSCREW THE HANDLE NUT AND PULL OUT ON THE CARTRIDGE. ZURN WILL SUPPLY HANDLE PORT PLUG (ZURN PART #61094001) AT YOUR REQUEST.
10. REPLACE CARTRIDGE IN BODY AND HAND TIGHTEN HANDLE NUT. PLACE HANDLE ON THE CARTRIDGE STEM AND LOCATE AS DESIRED. TIGHTEN HANDLE NUT.
11. REPLACE HANDLE SCREW AND COLOR INDEX BUTTON.
12. INSTALL AERATOR INTO FAUCET AND HAND TIGHTEN. IT MAY BE NECESSARY TO UNSCREW AND CLEAN AERATOR AT START-UP.

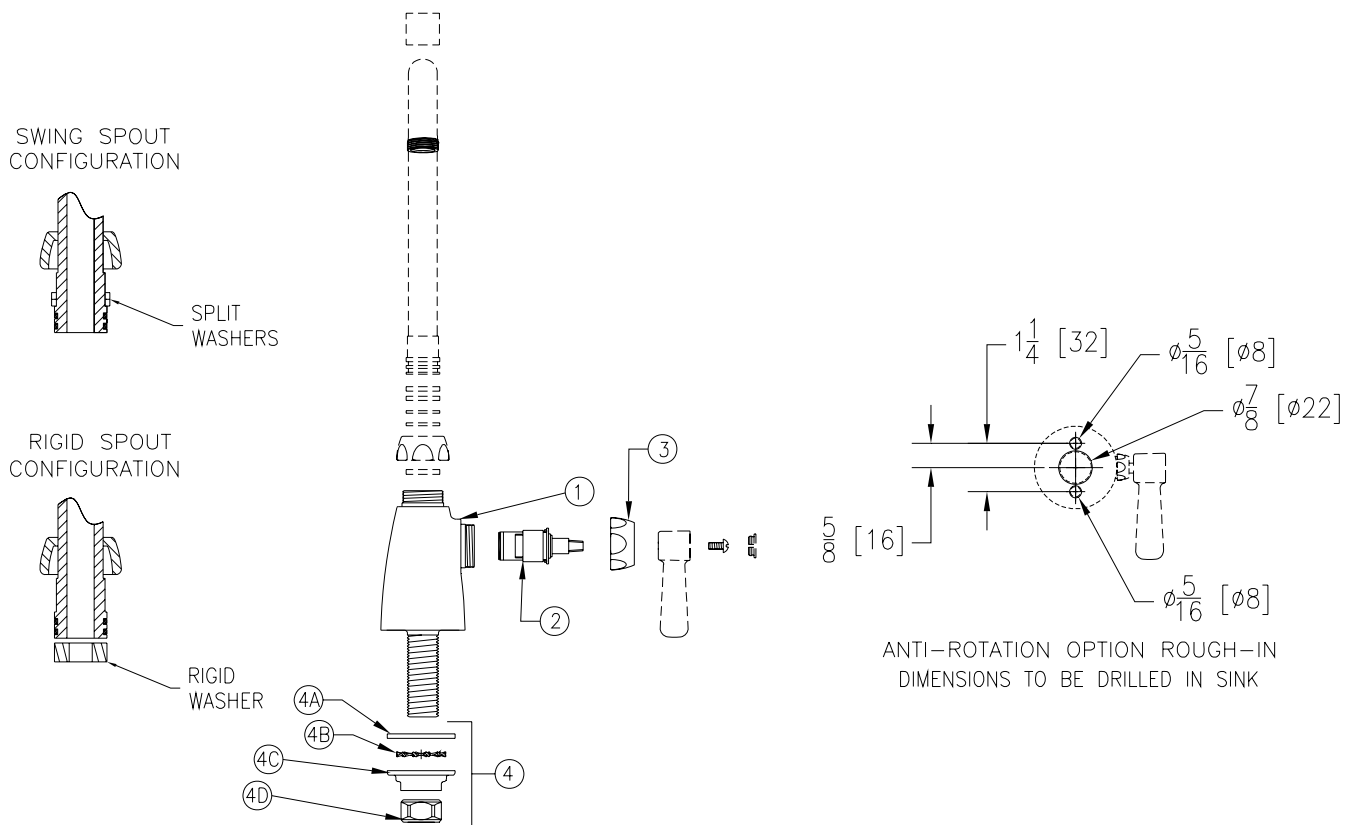
MAINTENANCE

1. YOUR ZURN AQUASPEC FAUCET HAS A HIGHLY POLISHED NICKEL CHROME PLATED FINISH. CLEAN WITH SOAP AND WATER OR A MILD CLEANER WHICH IS SAFE FOR CHROME PLATING. DO NOT USE ACIDS OR TOILET BOWL CLEANER AS THEY WILL DAMAGE THE FINISH.
2. AQUASPEC FAUCETS CONTAIN CERAMIC DISK CARTRIDGES WHICH REQUIRE NO MAINTENANCE. TO REMOVE THE CARTRIDGE, SHUT THE WATER OFF, LOOSEN THE HANDLE NUTS AND PULL UP ON THE CARTRIDGE.

REPLACEMENT PARTS

CARTRIDGE 59517002
 INDEX BUTTONS G60500

Z825A1 PICTURED



Z82500 PARTS LIST

Item	Part Number	Description	Qty	Item	Part Number	Description	Qty
1	59733002	SINGLE LAB BODY	1	4A	60549001	GASKET	1
2	59517002	SHORT HOT CARTRIDGE	1	4B	61613019	LOCKWASHER	1
3	59523001	HANDLE NUT	1	4C	59530002	MOUNTING NUT	1
4	G63367	MOUNTING HARDWARE	1	4D	59532001	RISER NUT	1