



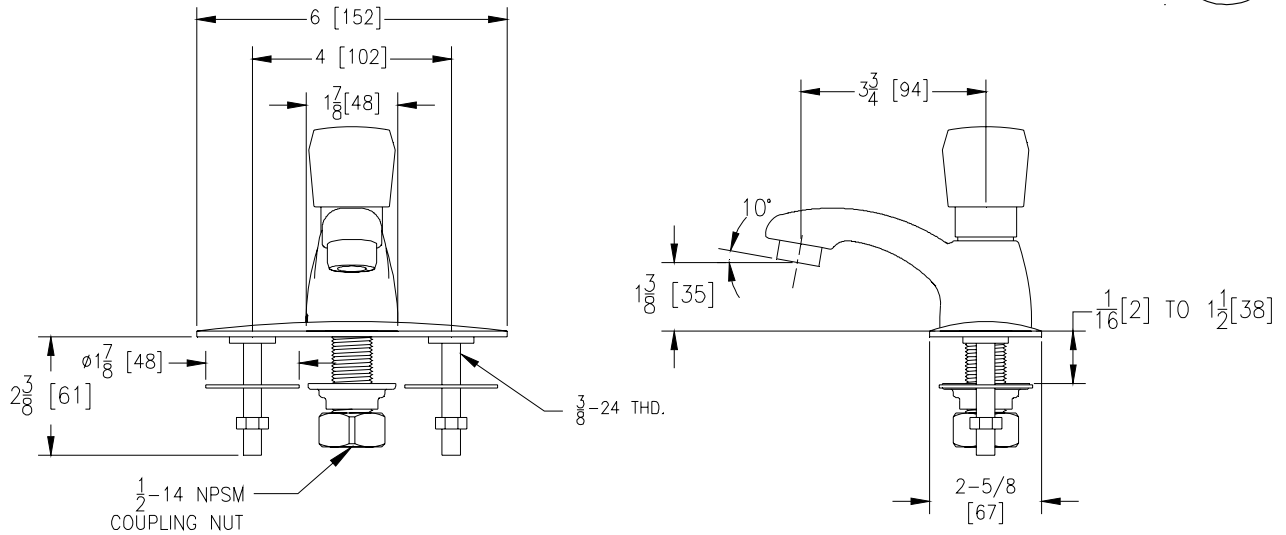
SINGLE BASIN METERING

Z86100-CP4

TAG _____

Engineering Specifications: Zurn AquaSpec® Z86100-CP4

Polished chrome-plated single basin lavatory, slow-closing metering faucet with an integral brass 3-3/4" [95mm] centerline spout and a vandal-resistant color-coded metal handle. Easy adjustable cycle time, preset to 10 seconds at 80 PSI. Unit is furnished with a water-conserving 1.0 GPM [3.8 L] (-7M) spray outlet which reduces flow to .25 GPC [.95 L], (complying with ANSI A112.18.1 Standard for flow), 4" [102mm] centers, integral shank filter, chrome plated metal cover plate, anti-rotation pins, mounting hardware, 1/2" NPSM coupling nut for standard lavatory risers.



Note: All dimensions are for reference only. Do not use for pre-plumbing

OPTIONAL ACCESSORIES

Suffix	Description
___ -CS	Check Stop
___ -G	1-1/4" [32mm] Grid Strainer Drain
___ -GH	1-1/4" [32mm] Offset Handicap Drain
___ -IN	Institutional Handle - Tamper-Proof and Vandal-Resistant
___ -MY	Mixing Yoke
___ -MYCS	Mixing Yoke with Check Stops
___ -PT	1-1/4" [32mm] Cast Brass P-Trap with a 7-1/2" [191mm] Long 17-Gauge Wall Bend
___ -RKR	ADA Compliant Rocker Handle
___ -3M	0.5 GPM [1.9 L] Vandal-Resistant Pressure Compensating Male Spray Outlet
___ -16M	1.0 GPM [3.8 L] Vandal-Resistant Pressure Compensating Male Spray Outlet
___ -21M	1.0 GPM [3.8L] Pressure Compensating Male Laminar Flow Outlet
___ -22M	1.0 GPM [3.8L] Vandal-Resistant Pressure Compensating Male Laminar Flow Outlet
___ -24M	0.35 GPM [1.3 L] Pressure Compensating Male Spray Outlet
___ -25M	0.35 GPM [1.3 L] Vandal-Resistant Pressure Compensating Male Spray Outlet

ZURN INDUSTRIES, LLC ♦ COMMERCIAL BRASS OPERATION ♦ 2640 SOUTH WORK STREET ♦ FALCONER NY 14733

Phone: 1-800-997-3876 ♦ Fax: 1-919-775-3541 ♦ www.zurn.com

In Canada: ZURN INDUSTRIES LIMITED ♦ 3544 Nashua Drive ♦ Mississauga, Ontario L4V1L2 ♦ Phone: 905/405-8272 Fax: 905/405-1292