

Location: _____



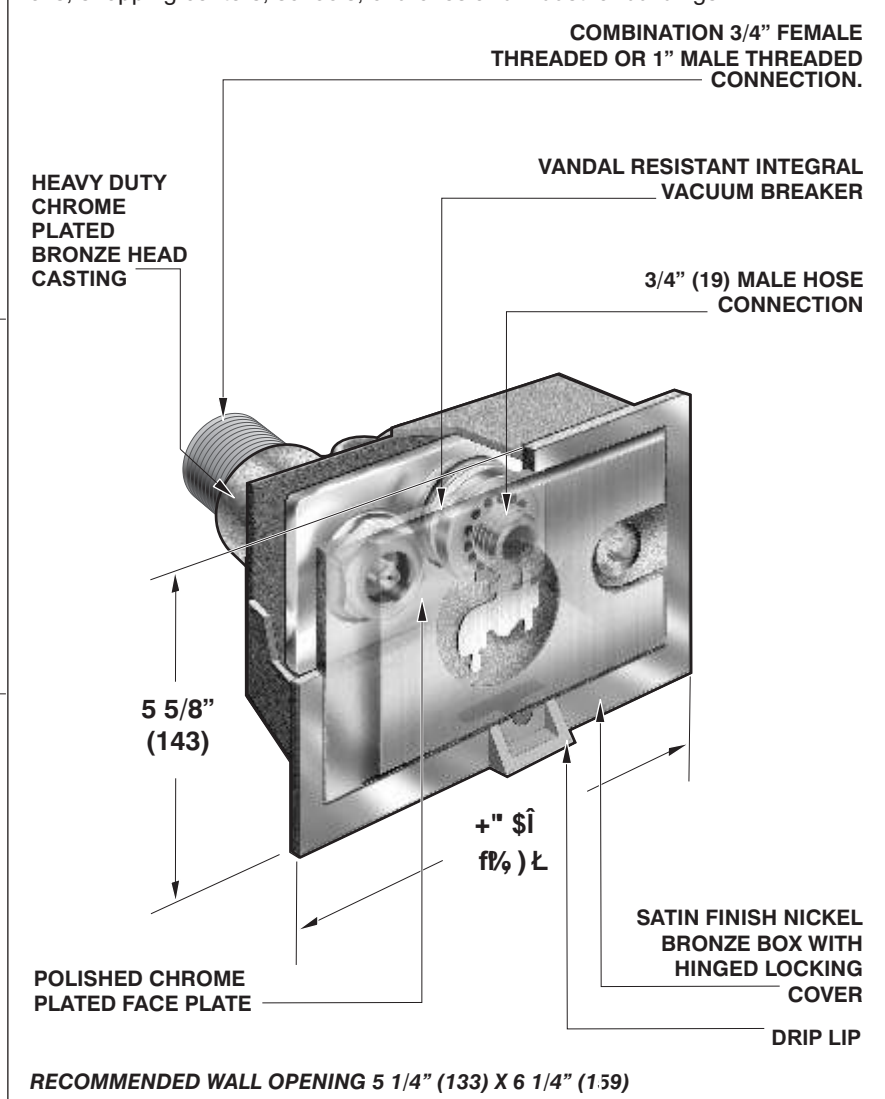
HY-3500

ENCASED MODERATE CLIMATE WALL HYDRANT

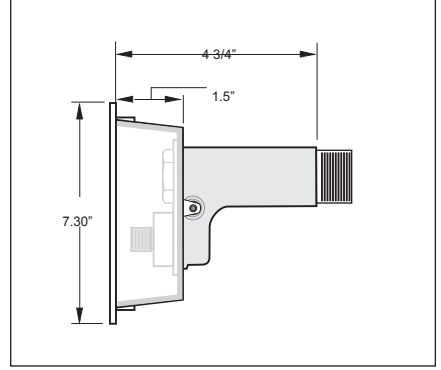
Specification: MIFAB® Series HY-3500 encased type, self draining. moderate climate wall hydrant with A.S.S.E. 1011 certified anti-siphon vandal resistant integral vacuum breaker. Hydrant assembly complete with one piece neoprene plunger to control the flow function, hardened bronze operating stem, heavy duty chrome plated bronze head casting, polished chrome plated face plate and satin finished nickel bronze box with hinged locking cover. Operating key furnished with each hydrant.

Function: Designed for commercial applications in moderate climate areas. Ideal for office buildings, apartment complexes, malls, shopping centers, schools, churches and industrial buildings.

Plumbing and Drainage
Mechanical Section



Overhead view



- MIFAB® HY-3500 Series Features**
- **INTERNAL COMPONENTS** - hardened bronze operating stem and one piece neoprene plunger.
 - **VACUUM BREAKER** - unique self draining vandal resistant integral vacuum breaker protects from anti-siphon conditions.
 - **FACE PLATE** - polished chrome plated.
 - **APPROVALS** - HY-3500 wall hydrant is listed with I.A.P.M.O. and is manufactured with an anti-siphon vacuum breaker that is tested and certified to the A.S.S.E. Standard 1011.



(Dimension) Denotes Millimetres

MODEL NO.	OVERALL LENGTH		APPROXIMATE WEIGHT		INLET CONNECTION
	IN	MM	Lbs.	Kg.	
HY-3500	4 3/4	121	5.5	2.5	3/4" FEMALE OR 1" MALE IPS COMBINATION.

SUFFIX	OPTIONAL VARIATIONS:	SUFFIX		SUFFIX	
-0	1" (25) Hose connection	-49	Polished chrome plated nickel bronze box	-RB	Fabricated stainless steel hydrant box with round back for tilt up construction
-1	Cast nickel bronze box	-BA	Buy American Act compliant product	-S	Four 1" x 1/4" (25 x 6) slots on top and two sides of box to receive mounting brackets
-3	Cast stainless steel hydrant box	-K	Cylinder key lock		

Job Name: _____ Page No: _____
 Section No: _____ Contractor: _____
 Schedule No: _____ Purchase Order No: _____