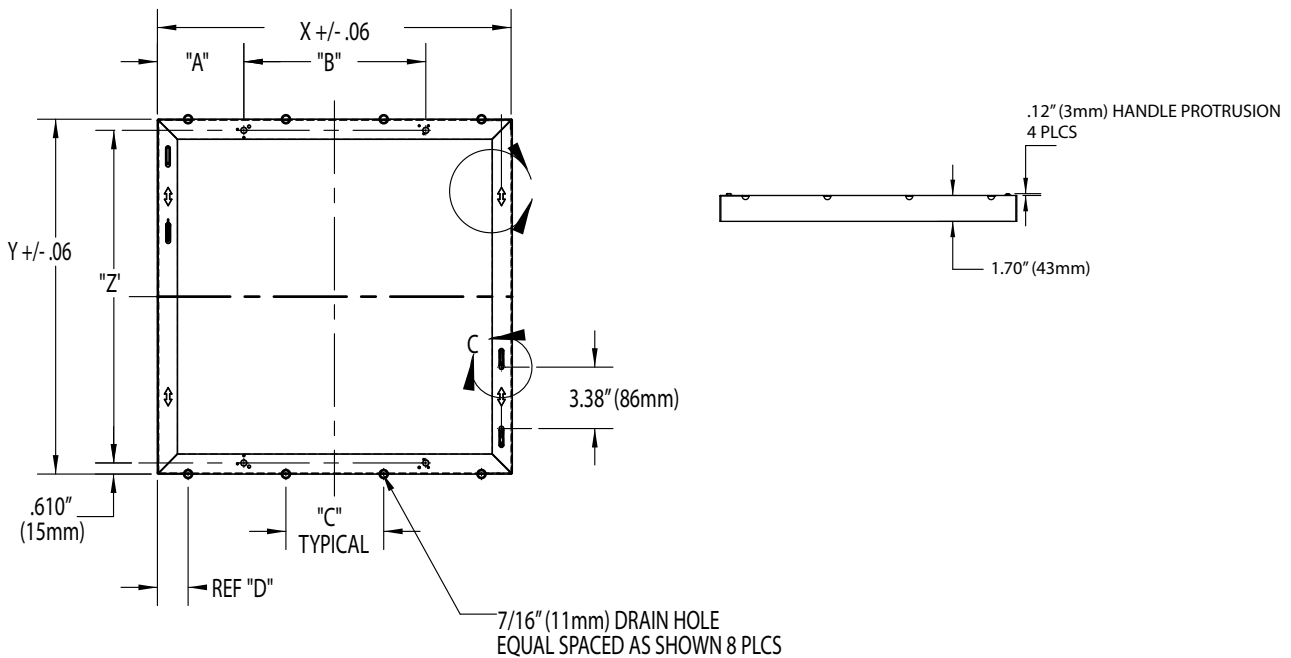


TYPE I - BAFFLE GREASE FILTER

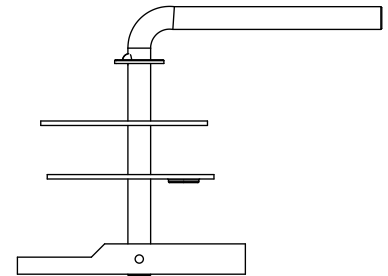
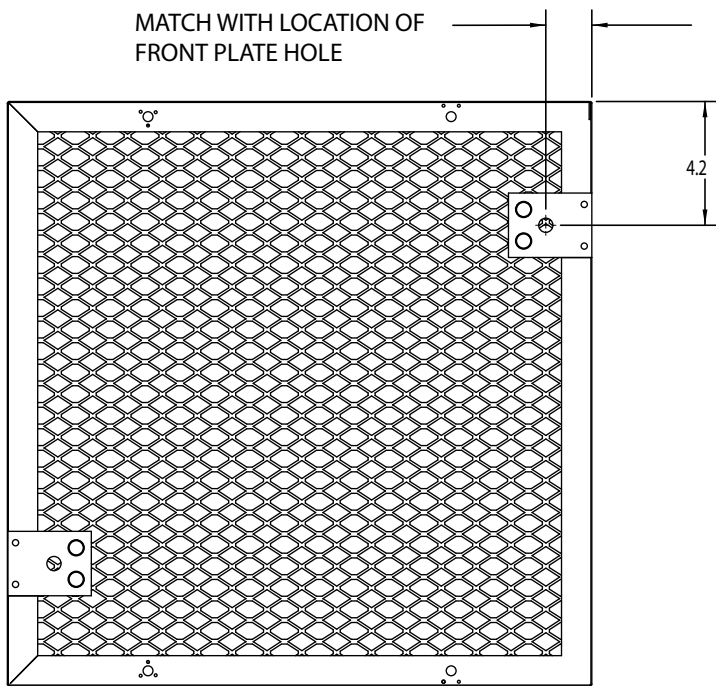
UNIT SIZE	"A" DIM.	"B" DIM.	"C" DIM.	"D" DIM.	"X" DIM.	"Y" DIM.	"Z" DIM.
16 X 10	1.75	6.00	2.04	1.69	9.50	15.50	14.280
20 X 10	1.75	6.00	2.04	1.69	9.50	19.50	18.280
10 X 16	2.75	10.00	4.04	1.69	15.50	9.50	8.280
12 X 16	2.75	10.00	4.04	1.69	15.50	11.50	10.280
16 X 16	2.75	10.00	4.04	1.69	15.50	15.50	14.280
18 X 16	2.75	10.00	4.04	1.69	15.50	17.50	16.280
20 X 16	2.75	10.00	4.04	1.69	15.50	19.50	18.280
25 X 16	2.75	10.00	4.04	1.69	15.50	24.50	23.280
12 X 18	3.75	10.00	4.70	1.69	17.50	11.50	10.280
10 x 20	4.75	10.00	5.38	1.69	19.50	9.50	8.280
12 x 20	4.75	10.00	5.38	1.69	19.50	11.50	10.280
16 x 20	4.75	10.00	5.38	1.69	19.50	15.50	14.280
20 x 20	4.75	10.00	5.38	1.69	19.50	19.50	18.280
25 x 20	4.75	10.00	5.38	1.69	19.50	24.50	23.280
12 X 24	6.75	10.00	6.70	1.69	23.50	11.50	10.280
16 X 25	7.25	10.00	7.04	1.69	24.50	15.50	14.280
20 X 25	7.25	10.00	7.04	1.69	24.50	19.50	18.280
13.5 X 23.8	6.75	10.00	6.64	1.69	23.30	13.00	11.780
13.5 X 16.0	2.50	10.00	3.87	1.69	15.50	13.00	11.780
13.5 X 19.5	4.50	10.00	5.20	1.69	19.00	13.00	11.780

FILTER TYPE 1 #15 SPARK ARRESTOR MODEL ITEM NUMBERS LISTED

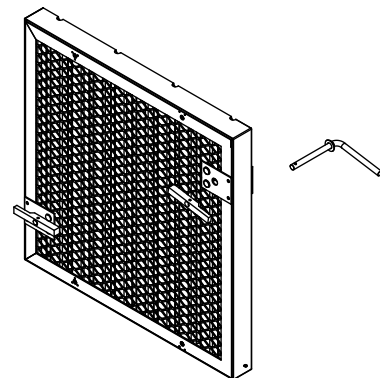


TYPE I - BAFFLE GREASE FILTER
OPTIONAL LOCKING HANDLES

Holes for handles & brackets installed with filter purchase. All filters are available with special Maryland Locking Handles. When ordering Maryland Locking Handles, add Suffix-MH to model number.



F-1000
FILTER LOCK ASSEMBLY
2 SETS REQUIRED



STANDARD FILTER MODIFICATION TO MAKE LOCKING HANDLE MODEL

NOTE: LOCKING HANDLES ARE NOT PROVIDED ON STANDARD MODEL.

TYPE I - BAFFLE GREASE FILTER
OPTIONAL HOOK TYPE MOUNTING BRACKETS

Holes for handles & brackets installed with filter purchase. When ordering Optional Hook Type Mounting Brackets, add Suffix-H to model number.

