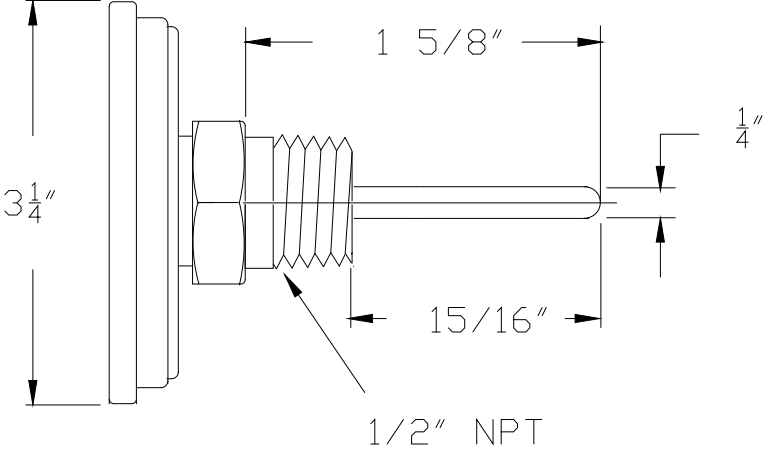
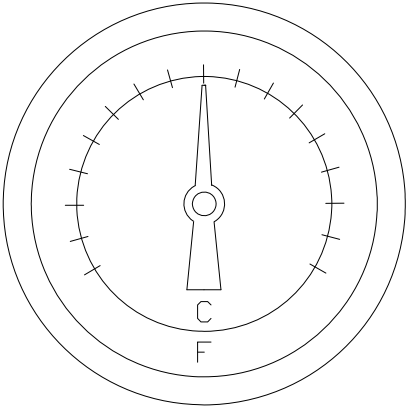


# DIAL THERMOMETER

## (37C30A) 2120 DIAL THERMOMETER

- 15/16" (23mm) bulb
- 0 to 140°F, -20 to 60°C
- 3.25 dial
- 2 color (green, red)



Job # _____	Engineer's Approval
Arch/Eng. _____	
Contractor _____	



1360 Elmwood Avenue, Cranston, RI 02910 USA  
Phone: 401.461.1200 Fax: 401.941.5310  
Email: [info@leonardvalve.com](mailto:info@leonardvalve.com)