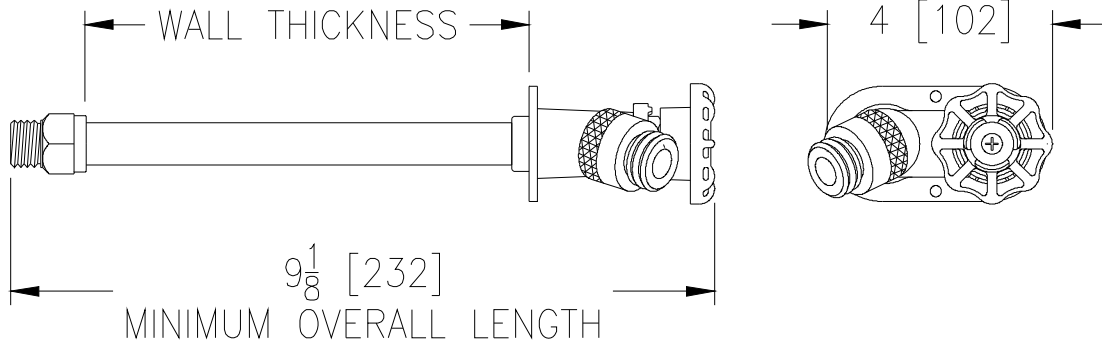


Dimensional Data (inches and [mm]) are Subject to Manufacturing Tolerances and Change Without Notice



Wall Thickness In Inches	Approx. Wt. Lbs. [kg]
4-6 [102-152]	2 [1]
8-10-12 [203-254-305]	3 [1]
14-16-18 [356-406-457]	4 [2]
20-22-24 [508-559-610]	5 [2]

ENGINEERING SPECIFICATION: Z1346

Exposed non-freeze anti-siphon automatic draining wall faucet complete with exterior chrome finish, brass casing, all bronze interior parts, Z1399-VB anti-siphon integral vacuum breaker, operating rod with free-floating compression closure valve, replaceable seat washer, combination 1/2 [13] female solder inlet and 1/2 [13] male IP inlet connection standard, and 3/4 [19] male hose connection (Conform to ASME B1.20.7).

OPTIONS (Check/specify appropriate options)

SUFFIXES

- ___ -CP3 3/4 [19] Male Pipe Thread x 3/4 [19] Female Solder
- ___ -LK Loose Key
- ___ -PX 1/2 [13] PEX Tube Fitting
- ___ -RK Hydrant Parts Repair Kit



(Hose Connection Vacuum Breaker)