



Architect/Engineering Specifications:

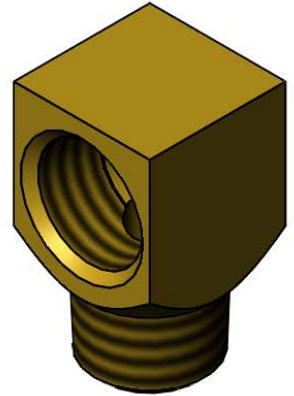
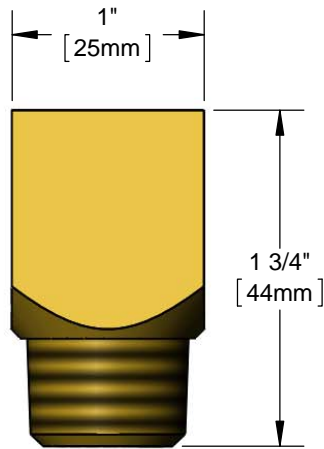
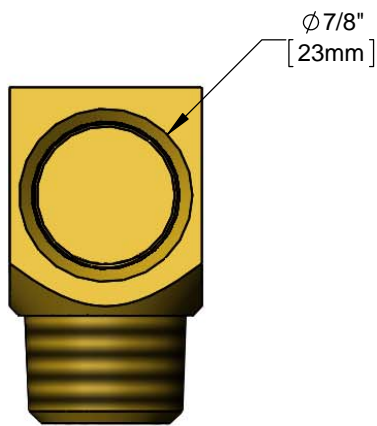
Short elbow kit provides 1/2" NPT inlet and outlet when assembled. Certified to ASME A112.18.1/CSA B125.1, NSF 61-Section 9 and NSF 372.

Job Name _____

Model Specified _____ Quantity _____

Variations Specified _____

Date _____



Features & Benefits:

- Short elbow kit includes: 2 male x female elbow assemblies
- Short elbow with 1/2" NPT male inlet and 1/2" NPT female outlet
- Material: Brass

Product Compliance:

- ASME A112.18.1 / CSA B125.1
- NSF 61 - Section 9
- NSF 372 (Low Lead Content)



Warranty: One Year (Limited)

Performance Data:

- Pressure: 20 - 125 psi
- Temperature: 40°F - 160°F
- Flow Rate: 11.09 GPM @ 60 psi

