

Location: _____

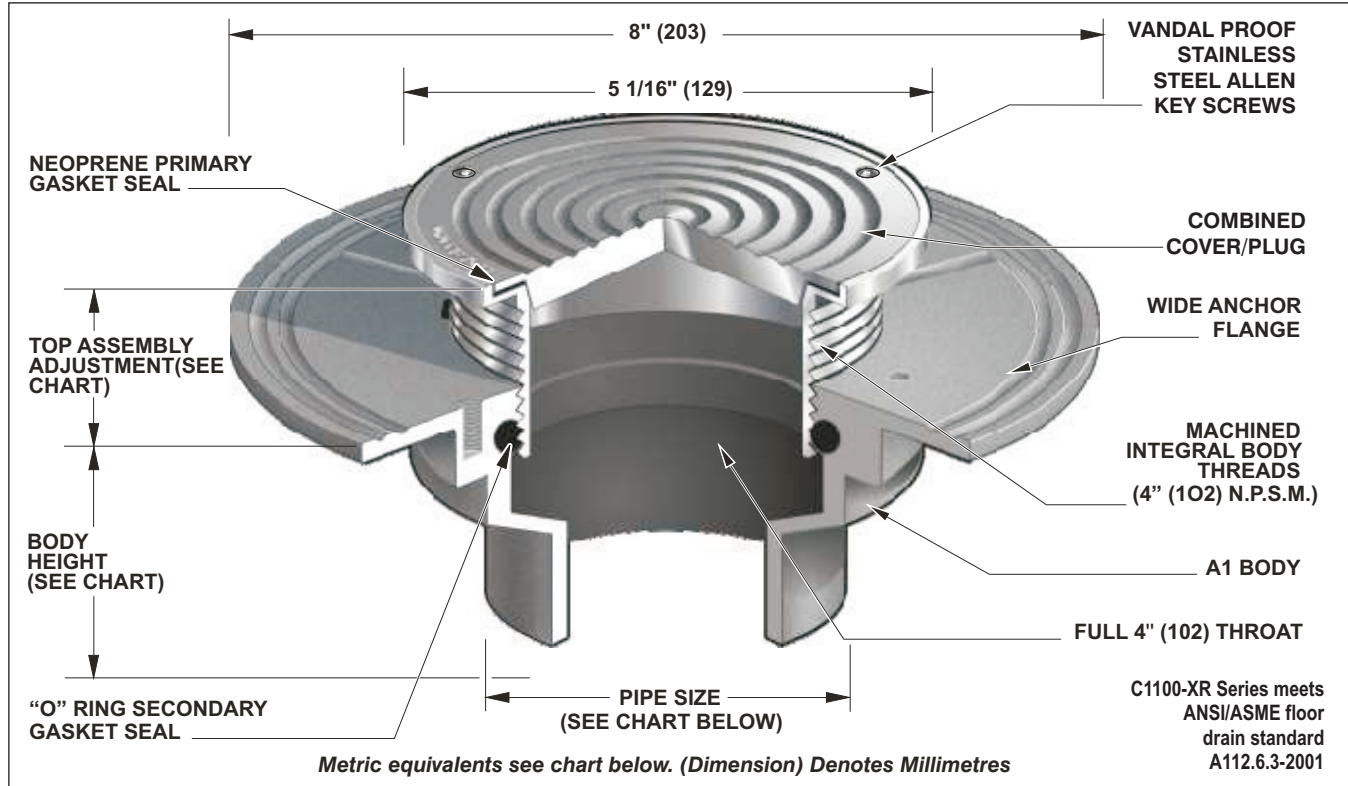


C1100-XR

FLOOR CLEANOUT WITH HEAVY DUTY ROUND ADJUSTABLE COVER AND PLUG

Specification: MIFAB C1100-XR Series adjustable floor cleanout with lacquered cast iron body and anchor flange, secondary "O" ring Test Seal, 4" diameter cleanout opening and round heavy duty square scoriated combined cover and plug top assembly with stainless steel vandal proof allen key screws and primary gasket seal. (For membrane floors, add Suffix -C for the membrane clamp.)

Function: Used in unfinished floors with heavy load traffic such as warehouses and manufacturing facilities to provide emergency access to the plumbing lines for removal of blockages. Replacement of the surface level cover/plug with the neoprene gasket glued to the underside provides visual evidence that the cleanout has been properly resealed to prevent harmful sewer gases from entering the building.



Metric equivalents see chart below. (Dimension) Denotes Millimetres

C1100-XR Series meets
ANSI/ASME floor
drain standard
A112.6.3-2001

TOP ASSEMBLY DIAMETER	TOP ASSEMBLY ADJUSTMENT		ANSI/ASME RATING LOAD RATING			PIPE SIZE	BODY HEIGHT				
	MIN	MAX	N.B. (-1)	S.S. (-3)	D.I. (-4)		NO HUB (STANDARD)	PUSH ON (P)	THREADED (T)	INSIDE CAULK (X)	PVC/ABS (-30)/(-31)
5" (127)	1/2" (13)	1 1/4" (32)	UP TO 4,999 LBS.	5,000 TO 7,499 LBS.	SPECIAL DUTY OVER 10,000 LBS.	2" (51)	3" (76)	3 3/8" (86)	2 1/4" (57)	3 3/4" (95)	2 15/16" (75)
						3" (76)	3" (76)	3 3/8" (86)	2 5/8" (67)	3 3/4" (95)	3 3/4" (95)
						4" (102)	3" (76)	3 3/8" (86)	2 5/8" (67)	3 3/4" (95)	3 3/4" (95)
						5" (127)	3" (76)	—	2 5/8" (67)	3 3/4" (95)	—
						6" (152)	3 1/4" (83)	6 1/2" (165)	—	—	—

SUFFIX	OPTIONAL VARIATIONS:	SUFFIX	SUFFIX
-1	Heavy duty nickel bronze top assembly	-30	PVC socket connection body
-3	Heavy duty stainless steel top assembly	-31	ABS socket connection body
-4	Extra heavy duty ductile iron top assembly for unfinished areas	-34	Secondary closure plug
-6	Security screws (TR25 Torx & pin)	-90	Threaded side outlet (2",3",4") (cast iron only)
-11	Acid resistant epoxy coated body	-90NH	No hub side outlet (2", 3", 4") (cast iron only)
-13	Galvanized body	-95	Special marking etched into top (SAN for sanitary or GW for Grease Waste)
-15	Extension	-ARRA	ARRA (Stimulus Act) compliant product
-28	Stainless steel body (Type 304)	-BA	Buy American Act compliant product
		-C	Membrane clamp
		(Standard)	No hub outlet
		P	Push on outlet
		-PA	Pennsylvania Steel Act compliant product
		T	Threaded outlet (2",3",4")
		X	Inside caulk outlet
		-XS	Heavy duty square top assembly (-1, -3 only)
		-Z	Extended wide elastomeric flange

Job Name: _____ Page No: _____
 Section No: _____ Contractor: _____
 Schedule No: _____ Purchase Order No: _____

MIFAB reserves the right to make changes in material and design without formal notice and obligation.