

Location: _____

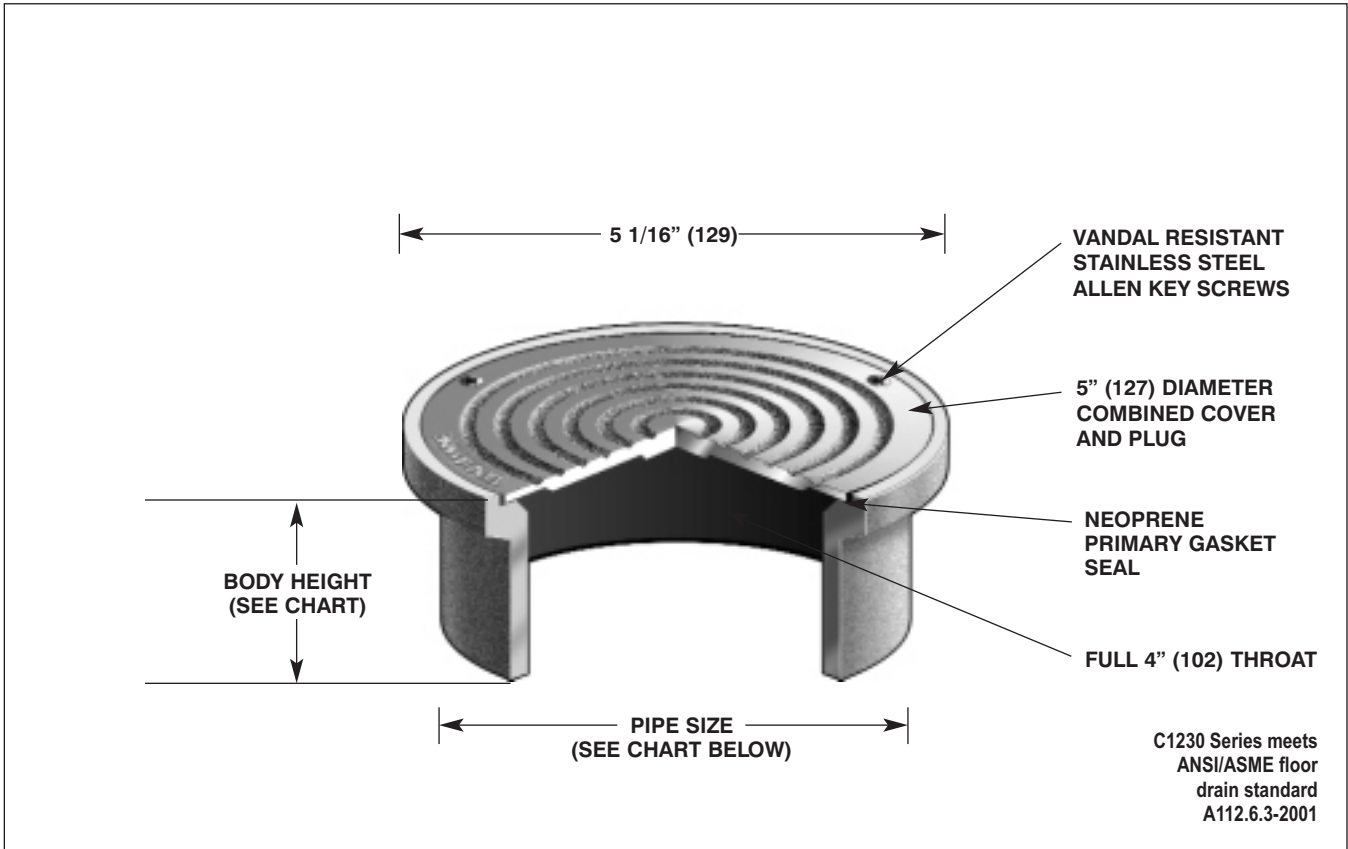


C1230

LINE OR FLOOR CLEANOUT

Specification: MIFAB C1230 Series lacquered cast iron cleanout ferrule with 1/2" (13) thick gasketed combined ductile iron cover and plug.

Function: Used in finished floors to provide emergency access to the plumbing lines for removal of blockages. Cleanout has a non-adjustable top.



COVER/ PLUG DIAMETER	ANSI/ASME RATING LOAD RATING		PIPE SIZE	BODY HEIGHT				
	N.B. (-1)	D.I. (-4)		CAST IRON BODY (NO HUB OUTLET)	NICKEL BRONZE BODY (-1)	PVC BODY (-30)	ABS BODY (-31)	CAST IRON BODY (PUSH ON OUTLET)
5" (127)	UP TO 4,999 LBS.	5,000 TO 7,499 LBS.	2" (51)	2 3/16" (56)	2 3/16" (56)	2 5/8" (67)	2 5/8" (67)	—
			3" (76)	2 3/16" (56)	2 3/16" (56)	2 5/8" (67)	2 5/8" (67)	—
			4" (102)	2 3/16" (56)	2 3/16" (56)	2 5/8" (67)	2 5/8" (67)	3"
			6" (152)	3 1/2" (89)	—	—	—	—
			8" (203)	3 1/2" (89)	—	—	—	—

6" and 8" cover/plug diameter for 6" and 8" outlet connections.

SUFFIX OPTIONAL VARIATIONS:

- 1 Nickel bronze cover/plug
- 4 Ductile iron cover/plug
- 6 Security screws (TR25 Torx & pin)
- 11 Acid resistant epoxy coated body
- 13 Galvanized body
- 30 PVC socket connection body
- 31 ABS socket connection body
- 34 Secondary closure plug

SUFFIX

- 95 Special marking etched into top (SAN for sanitary or GW for Grease Waste)
- ARRA ARRA (Stimulus Act) compliant product
- BA Buy American Act compliant product
- PA Pennsylvania Steel Act compliant product
- P Push on outlet (4" only)
- Z Extended wide elastomeric flange

Job Name: _____ Page No: _____
 Section No: _____ Contractor: _____
 Schedule No: _____ Purchase Order No: _____