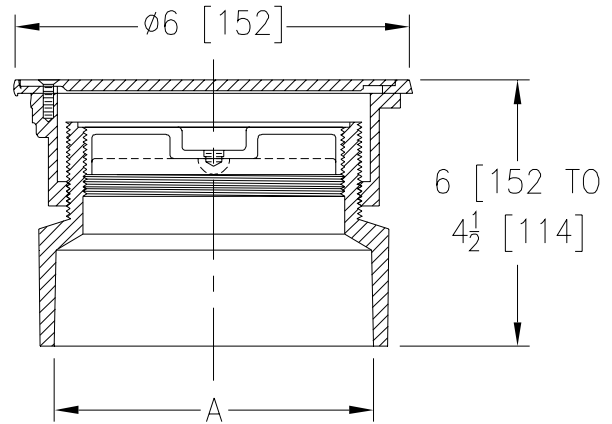


Dimensional Data (inches and [mm]) are Subject to Manufacturing Tolerances and Change Without Notice



| Product | Pipe Connections |
|-----------------|---------------------------|
| ___ CO-2455-PV3 | 3" [76] PVC Solvent Weld |
| ___ CO-2455-PV4 | 4" [102] PVC Solvent Weld |
| ___ CO-2455-AB3 | 3" [76] ABS Solvent Weld |
| ___ CO-2455-AB4 | 4" [102] ABS Solvent Weld |

CO2455 Finished Area Adjustable Cleanout

Recommended for foot traffic and medium-duty applications. Cleanout is furnished with a PVC or ABS body with an integral ABS taper thread plug. Cast iron head is complete with nickel bronze frame and cover.

Options:

- ___ **-CM** Carpet Marker
- ___ **-VP** Vandal-Proof Screws

Typical installation

