

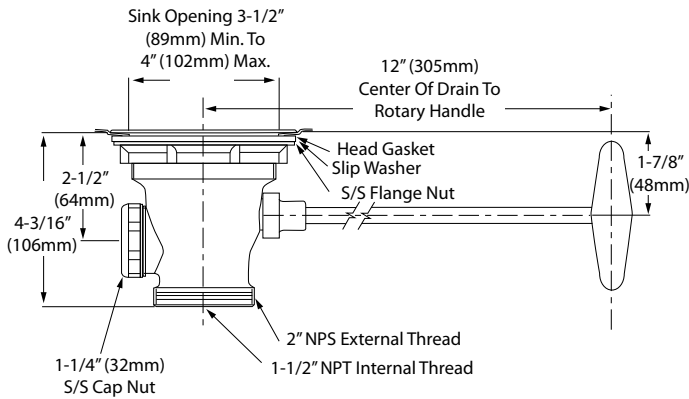
**PROJECT NAME:** \_\_\_\_\_

**LOCATION:** \_\_\_\_\_

**SPECIFIER ITEM NO.** \_\_\_\_\_ **QTY:** \_\_\_\_\_

**ENCORE PART NO.** \_\_\_\_\_

Encore<sup>®</sup> QUIK-FLO<sup>™</sup> Rotary Drain  
**DBN-8000**



*Dimensions shown in inches (mm) are for reference only and are subject to change.*

1-1/2" or 2" NPS Male waste outlet  
 Flow Rate: Max 40gpm

Approximate shipping weight - 5 lbs  
 Warranty - 2 years parts

Solid heavy duty cast body is specification and commercial quality

**Commercial Quality Features**

- Nickel plated cast brass drain body
- Self-centering stainless steel face flange
- Stainless steel rotary handle

**SPECIFICATIONS:**

QUIK-FLO Rotary Drain to be Encore DBN-8000.

Drain to have nickel plated solid all metal construction. Drain to be for 3-1/2" sink opening diameter. Drain to have self-centering stainless steel face flange with stainless steel beehive crumb cup strainer. Drain to be designed for trouble free fast drainage when the stainless steel rotary handle is in the open position and has a positive sealing action when closed. Drain to accept 1-1/4" OD overflow elbow tube. To be universal style for use with both 2" or 1-1/2" NPSM outlet.



**COMPLIES WITH:**  
 ANSI A112.18.1/B125