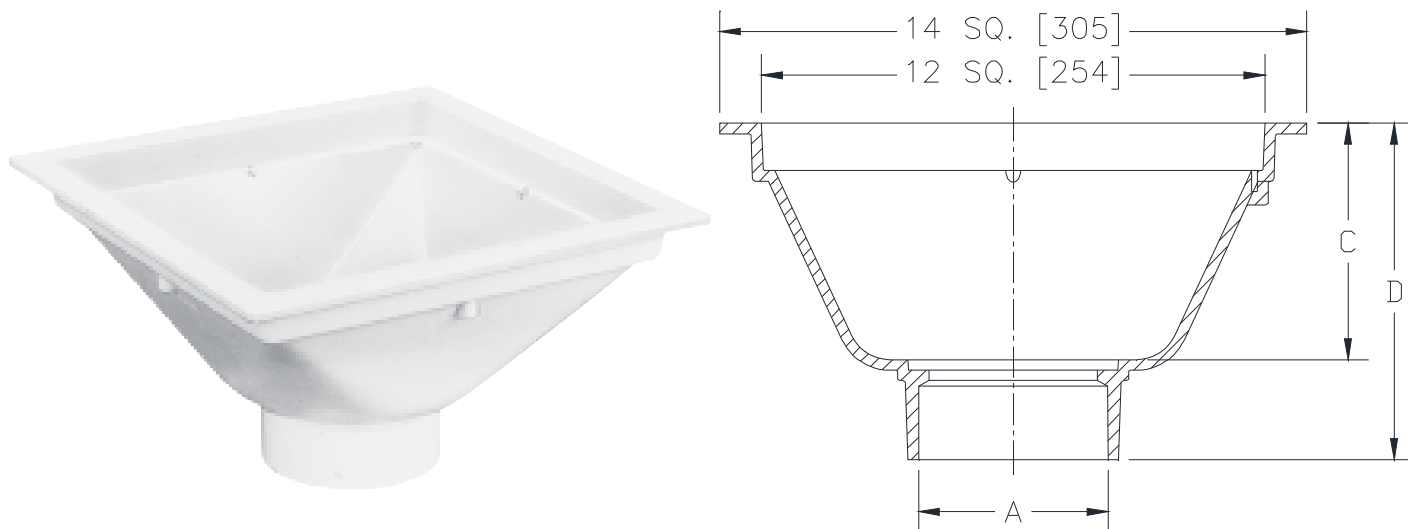


Dimensional Data (inches and [mm]) are Subject to Manufacturing Tolerances and Change Without Notice



FD2370 PVC Floor Sink

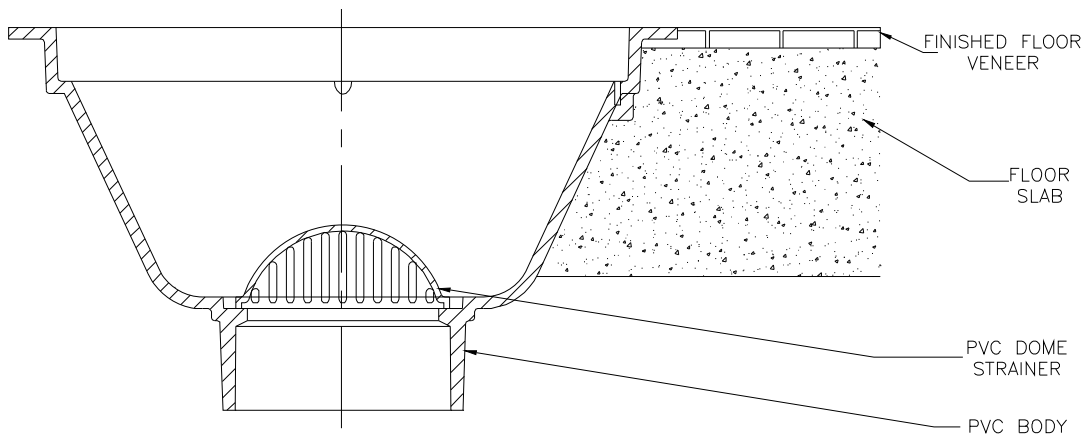
Recommended for sanitary installations. The radiused body is constructed of PVC.
Manufactured according to ASME A112.6.7-01

Product	"A" Connections	"C"	"D"
___ FD2370-PV2	2 [51] PVC Hub	5-5/8 [143]	7 [178]
___ FD2370-PV3	3 [76] PVC Hub	5-5/8 [143]	7-3/4 [197]
___ FD2370-PV4	4 [102] PVC Hub	5-5/8 [143]	8 [203]

Options:

- ___ -DS Dome Strainer
- ___ -F Full Grate
- ___ -H 1/2 Grate
- ___ -P 1/2 NPT Trap Primer Connection
- ___ -T 3/4 Grate
- ___ -Y Sediment Bucket

Typical installation



* Regularly furnished unless otherwise specified.