

PROJECT NAME: _____

LOCATION: _____

SPECIFIER ITEM NO. _____ **QTY:** _____

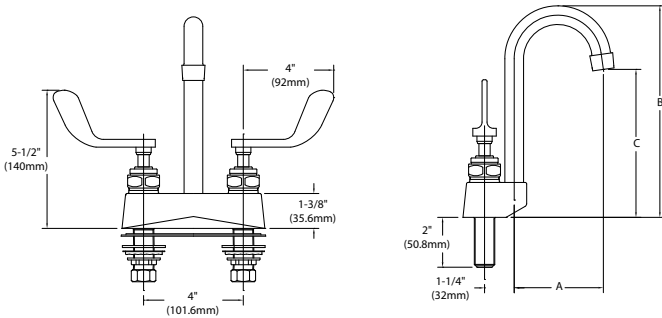
ENCORE PART NO. _____

Encore[®] 4" (102mm) Deck Mount Faucet with Rigid Gooseneck Spout and 4" (102mm) Wrist Blade Handles

KN83-4x0x-RE4 Series

- KN83-4100-RE4 3" Spout, Ceramic Valves
- KN83-4000-RE4 3" Spout, Compression Valves
- KN83-4102-RE4 6" Spout, Ceramic Valves
- KN83-4002-RE4 6" Spout, Compression Valves
- KN83-4101-RE4 8" Spout, Ceramic Valves
- KN83-4001-RE4 8" Spout, Compression Valves

NOTE: For low lead compliant models, change series from "KN" to "KL". *



Dimensions shown in inches (mm) are for reference only and are subject to change.

1-1/8" (29mm) holes for deck are recommended to accommodate 1/2" supply nipples
 1/2" NPSM Male Inlets
 Operating Temperature: 40-180°F (5-83°C)
 Operating Pressure: 15-125psi

* KL Series low lead faucets are NSF and Annex G certified.

Approximate shipping weight - 5 lbs
 Warranty - 2 years parts

Solid heavy duty cast body is specification and commercial quality.

Commercial Quality Features

- Rigid gooseneck spout design
- ADA-compliant 4" (102mm) wrist blade handles
- Built-in check valves to prevent cross-flow and back-flow

SANIGUARD[®] Product Protection

- Permanently incorporated on all touch points of Encore plumbing fixtures
- Inorganic, silver ion technology inhibits growth of common bacteria, yeasts, mold and fungi, minimizes cross-contamination

SPECIFICATIONS:

Deck Mount Faucet to be Encore KN83 Series in the following configuration:

- ___ KN83-4100-RE4 3" Spout, Ceramic Valves
- ___ KN83-4000-RE4 3" Spout, Compression Valves
- ___ KN83-4102-RE4 6" Spout, Ceramic Valves
- ___ KN83-4002-RE4 6" Spout, Compression Valves
- ___ KN83-4101-RE4 8" Spout, Ceramic Valves
- ___ KN83-4001-RE4 8" Spout, Compression Valves

Faucet body to be constructed of polished chrome plated brass with wrist blade handles. Handles to be incorporated with SANIGUARD treatment. Supply inlets to be 4" on center. Valves to be 1/4-turn with integral check valve to prevent cross-flow and back-flow. Spout to be rigid gooseneck style. Color coded temperature indexes shall meet international standards. 2.2gpm aerator @ 60psi standard with full flow stream bubbler screen spout tip.

Model No.	A	B	C
KN83-4100-RE4	3-1/2" (89mm)	8-1/2" (216mm)	6" (152mm)
KN83-4000-RE4	3-1/2" (89mm)	8-1/2" (216mm)	6" (152mm)
KN83-4102-RE4	6" (152mm)	9-1/2" (241mm)	5-1/2" (140mm)
KN83-4002-RE4	6" (152mm)	9-1/2" (241mm)	5-1/2" (140mm)
KN83-4101-RE4	8-1/2" (216mm)	12-1/2" (317mm)	6-1/4" (159mm)
KN83-4001-RE4	8-1/2" (216mm)	12-1/2" (317mm)	6-1/4" (159mm)

For a complete list of available options for KN83-4000-RE4 Series, see product configurator on reverse.

Faucet Configuration for KN83-4000-RE4 Series

