

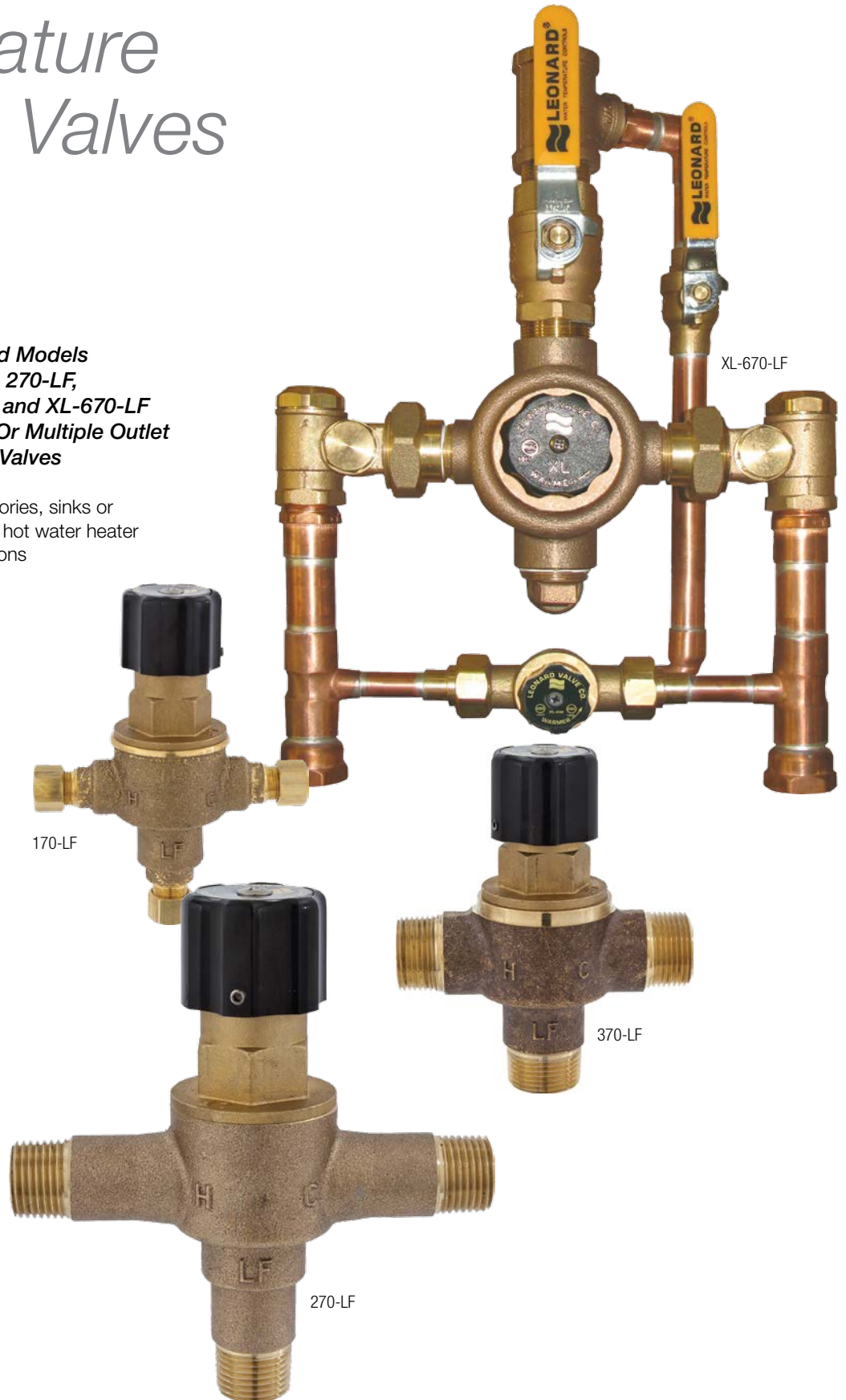
# Temperature Limiting Valves



**Leonard Models  
170-LF, 270-LF,  
370-LF and XL-670-LF  
Single Or Multiple Outlet  
Mixing Valves**



For lavatories, sinks or  
for small hot water heater  
applications



XL-670-LF

170-LF

370-LF

270-LF

# Temperature Limiting Valves

**MODEL 170-LF** single outlet mixing valve for lavatory, sink

**MODEL 270-LF, 370-LF, XL-670-LF** single or multiple outlet mixing valves for lavatories, sinks or for small hot water heater applications

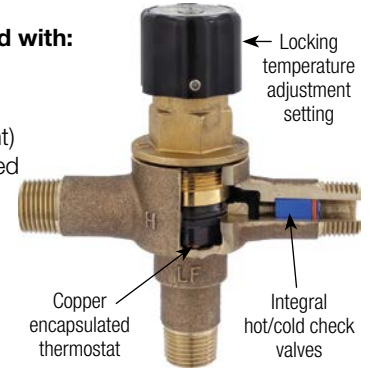
- Copper encapsulated wax thermostat
- Locking temperature setting
- Integral check valves on hot and cold inlets

All models ASSE 1070 listed and 3rd party certified as lead free

ASSE Standard 1017 listed (270/370-LF)

**Model 170-LF, 270-LF, 370-LF and XL-670-LF thermostatic water mixing valves are furnished with:**

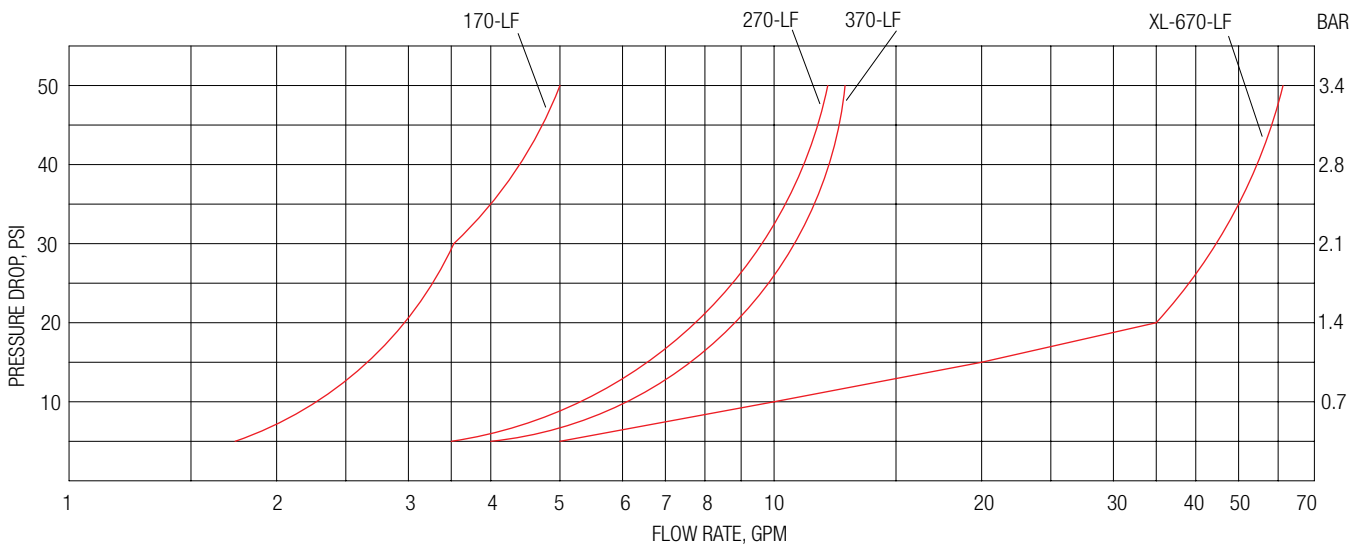
- Highly responsive copper encapsulated thermostat assembly
- Locking temperature adjustment (tamper-resistant)
- Bronze body; brass, stainless steel and engineered polymer internal components
- Integral check valves on hot and cold inlets
- Approach temperature 5°F (2.8°C) above set point
- Minimum flow rate: 370-LF only, 0.5 GPM (1.9 l/min); 170-LF and 270-LF, 0.25 GPM (0.95 l/min); XL-670-LF, 2.5 GPM (9.5 l/min)
- Maximum hot water supply temperature: 200°F (93°C)
- Maximum supply pressure: 125 PSI



## Flow Capacities

Models	In	Out	Minimum Flow GPM	PRESSURE DROP											PSI
				L/MIN	5	10	15	20	25	30	35	40	45	50	
170-LF*	3/8"	3/8"	0.25	1.7	2.3	2.7	3.0	3.2	3.6	4.0	4.4	4.7	5.0	GPM	
	(9.5mm)	(9.5mm)	0.95	6.4	8.7	10.2	11.4	12.1	13.6	15.1	16.5	17.8	18.9	L/MIN	
270-LF**	1/2"	1/2"	0.25	3.5	5.5	6.5	7.5	8.5	9.5	10.0	10.5	11.5	12.0	GPM	
	(12.7mm)	(12.7mm)	0.95	13.2	20.8	24.6	28.4	32.2	36.0	37.9	39.7	43.5	45.4	L/MIN	
370-LF**	3/4"	3/4"	0.5	4.0	6.0	7.0	8.0	9.0	10.0	10.5	11.5	12.5	13.0	GPM	
	(19.1mm)	(19.1mm)	1.9	15.1	22.7	26.5	30.3	34.1	37.9	39.7	43.5	47.3	49.2	L/MIN	
XL-670-LF*	1"	1 1/4"	2.5	5	10	20	35	39	41	48	55	59	62	GPM	
	(25.4mm)	(31.6mm)	9.5	19	38	76	132	148	155	182	208	223	235	L/MIN	

\* ASSE Standard 1070 listed  
 \*\* ASSE Standards 1017 & 1070 listed  
 All models are 3rd party certified as lead free



**CAUTION!** All thermostatic water mixing valves have limitations. They will not provide the desired accuracy outside of their flow capacity range. Consult the above chart and graph and make certain the required flow rates are within the limits shown.

**Note:** Flow rates will vary depending on existing field conditions. Leonard Valve Company always recommends using CASPAK® sizing software for proper valve sizing and model number applications.

## Selection/Specification Guide

### (Models) – (Options)

#### Models

<b>170-LF*</b>	3/8" Compression fittings
<b>270-LF**</b>	1/2" MIPS
<b>370-LF**</b>	3/4" MIPS
<b>XL-670-LF*</b>	1" threaded inlets, 1-1/4" threaded outlet

**Note:** Model 170-LF is designed for one fixture only!

\* ASSE Standard 1070 listed

\*\* ASSE Standards 1070 and 1017 listed

All models are 3rd party certified as lead free

#### Options

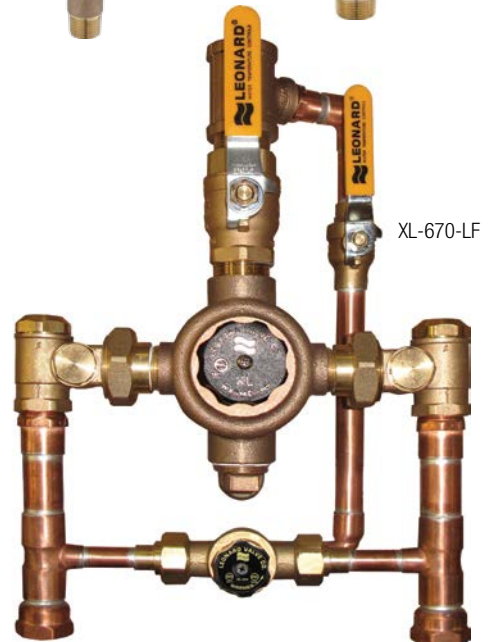
<b>BP</b>	Cold water bypass port (170-LF only)
<b>BRKT</b>	Mounting bracket
<b>BV</b>	2 Shutoff valves (ball valves) (270-LF, 370-LF only)
<b>SW</b>	Sweat connections (270-LF, 370-LF only)
<b>BWE-REC</b>	Steel Baked Enamel Recessed Cabinet
<b>STSTL-REC</b>	Stainless Steel Recessed Cabinet
<b>BWE-EXP</b>	Steel Baked Enamel Exposed Cabinet
<b>STSTL-EXP</b>	Stainless Steel Exposed Cabinet

**Model 170-LF** Thermostatic Mixing Valves for single outlet application, bronze body, copper encapsulated thermostat, brass and engineered polymer internals, stainless steel spring, locking temperature adjustment knob (tamper-resistant), integral check valves on inlets, compression connections, rough bronze finish.

**Model 170-LF-BP** with cold water bypass port



**Model 270-LF, 370-LF, XL-670-LF** Thermostatic Mixing Valves, bronze body, copper encapsulated thermostat, brass and engineered polymer internals, stainless steel spring, locking temperature adjustment knob (tamper-resistant), integral check valves on inlets, MIPS connections, rough bronze finish.



**Model \_\_\_\_\_ - \_\_\_\_\_ Thermostatic Mixing Valve Cabinet Assembly.** Valve with bronze body, copper encapsulated thermostat, brass and engineered polymer internals, stainless steel spring, locking temperature adjustment knob (tamper-resistant), integral check valves on inlets, IPS or sweat connections, mounting bracket. Cabinet shall be exposed (recessed) type, stainless steel (steel baked enamel) construction, hinged left hand door with cylinder lock, punched for side inlets, bottom outlet.

Unit shall be ASSE 1070 listed and 3rd party certified as lead free.



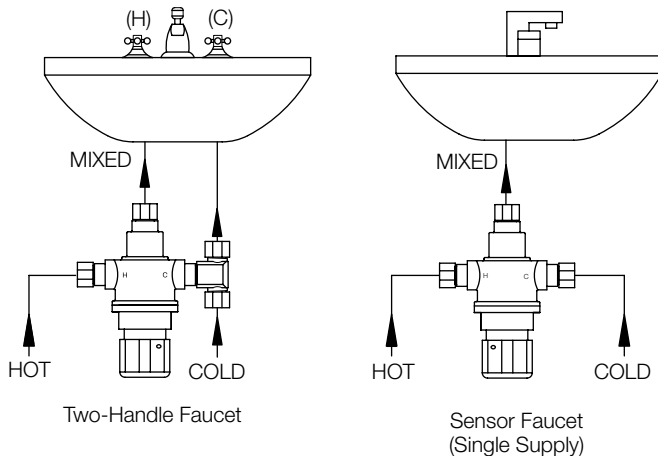
370-LF-STSTL-REC



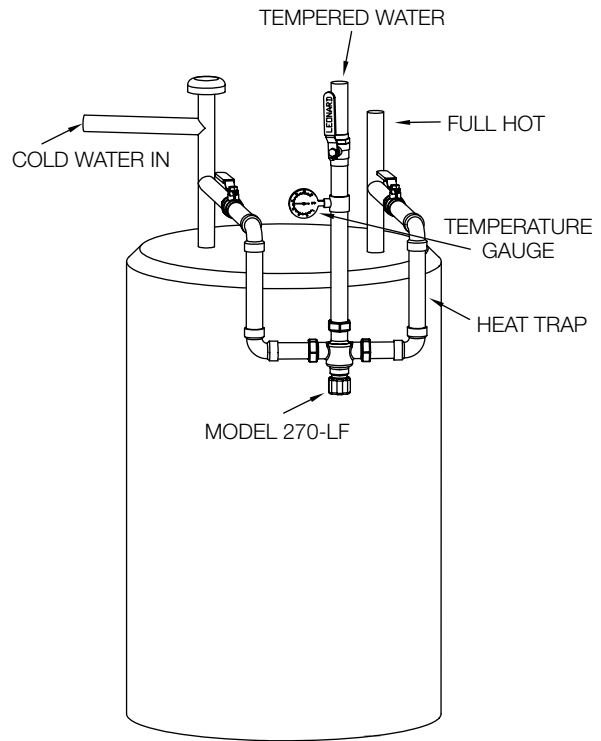
370-LF-STSTL-EXP

# Temperature Limiting Valves

## Required Piping – Point of Use Applications



## Required Piping – Hot Water Heater Applications



Note: All specifications are subject to change without notice!



1360 Elmwood Avenue  
Cranston, RI 02910 USA  
800.222.1208  
t 401.461.1200  
f 401.941.5310  
info@leonardvalve.com  
www.leonardvalve.com

LV-122 03/15  
©2015 Leonard Valve Company. Printed in the U.S.A.