

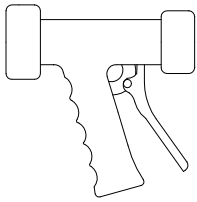
# INDUSTRY HOSE STATIONS

Submittal Data Sheet S-1560  
November, 2012

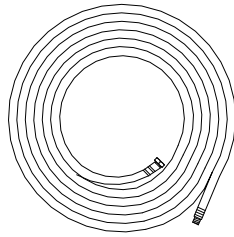
## HOSE STATION ACCESSORIES

### HEAVY DUTY HOSE NOZZLES HOSE RACK

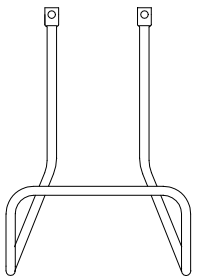
**N2**



**HDH**



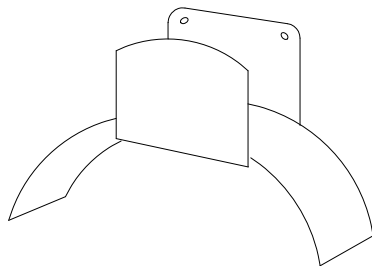
**HR**



**N3**



**HDHR**



#### HDH-HEAVY DUTY HOSE

- 3/4" EPDM cream color cover
- High temperature resistance 180°F (82°C) @ 200 PSI (13.7 Bar) 200°F (93°C) @ 50 PSI (3.4 Bar)
- Couplings
- Special lengths available upon request
  - 75 HDH, seventy five feet (23 meters)
  - 50 HDH, fifty feet (15.2 meters)
  - 25 HDH, twenty five feet (7.6 meters)
  - 20 HDH, twenty feet (6.1 meters)
  - 15 HDH, fifteen feet (4.6 meters)
  - 10 HDH, ten feet (3 meters)
  - 5 HDH, five feet (1.5 meters)

#### **OPTIONS:**

- SUFFIX SP - Stainless steel spring protector, one end
- SUFFIX SW - Bronze swivel protector

#### HOSE NOZZLES

- Utilized in high temperature industrial applications which do not exceed 180°F (82.2°C)
- Finger-touch spray control
- Self-closing automatic shutoff
- Internal parts of bronze, brass, or stainless steel
  - N-2 - Standard nozzle 1/2" NPT connection
  - N-3 - Straight nozzle with brass open end, chrome plated

#### HR-HOSE RACK

- Durable stainless steel construction with integral mounting brackets. Fits up to 35' of HDH hose.

#### HDHR- HEAVY DUTY HOSE RACK

- Heavy duty hose rack, stainless steel welded construction 1/8" bracket, 1/4" rack #4 finish

**NOTE!** Leonard Hose Stations are designed to mix water and steam or hot and cold water for wash down applications at temperatures no greater than 180°F (82.2°C) and with supply pressures as noted in valve specification.

Job # \_\_\_\_\_

Arch/Eng. \_\_\_\_\_

Contractor \_\_\_\_\_

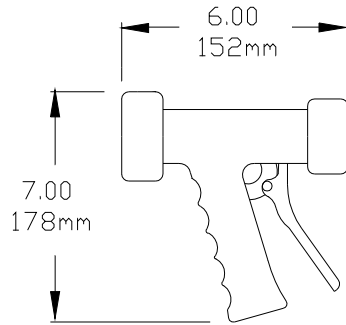
**NOTE:** Not designed for use with live steam.



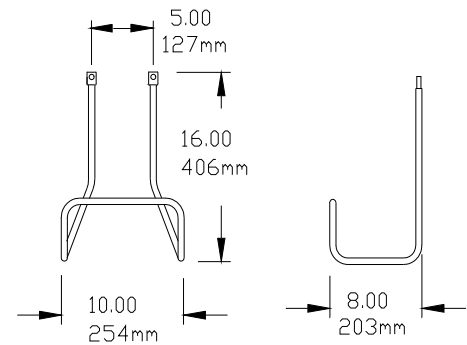
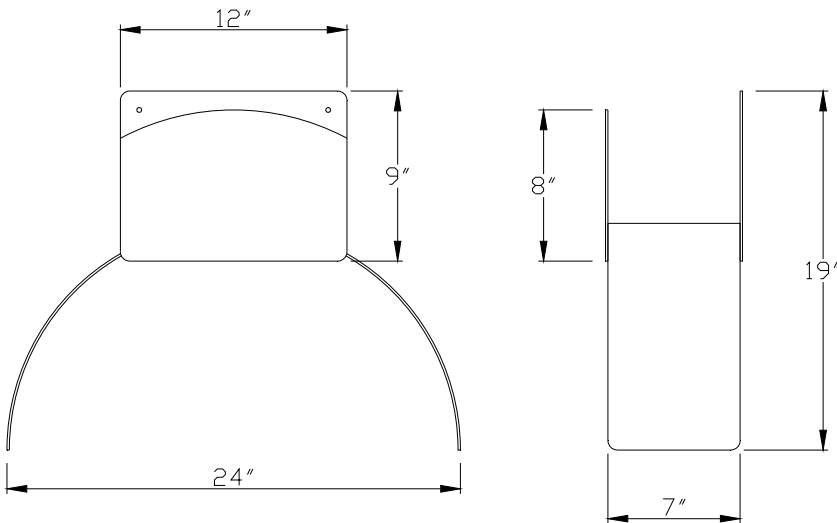
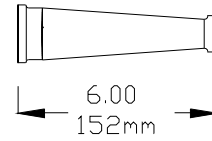
1360 Elmwood Avenue, Cranston, RI 02910 USA  
 Phone: 401.461.1200 Fax: 401.941.5310  
 Email: [info@leonardvalve.com](mailto:info@leonardvalve.com)  
 Web Site: <http://www.leonardvalve.com>

# HOSE STATION ACCESSORIES

## N-2 NOZZLE



## N-3 NOZZLE



## HR-HOSE RACK

## HDHR-HOSE RACK

**NOTE:** Leonard Valve Company reserves the right of product or design modifications without notice or obligation.

**NOTE!** Not designed for use with live steam.

**NOTE!** Leonard Hose Stations are designed to mix water and steam or hot and cold water for wash down applications at temperatures no greater than 180°F (82.2°C) and with supply pressures as noted in valve specification.

**Engineer's Approval**



1360 Elmwood Avenue, Cranston, RI 02910 USA

Phone: 401.461.1200 Fax: 401.941.5310

Email: [info@leonardvalve.com](mailto:info@leonardvalve.com)

Web Site: <http://www.leonardvalve.com>