



Z6957-XL

Wall-Mounted Battery-Powered Sensor Faucet

TAG _____

Product Description

The Nachi faucet maintains a sleek and simple design that can be paired with a matching Nachi soap dispenser for an automatic and user-friendly handwashing solution.

Engineering Specification

ADA compliant, battery powered, chrome plated sensor faucet for retrofit and new construction.

- Occupant Detection
 - Infrared convergence-type proximity sensor
 - Thirty Second Time out feature
- Spout module
 - Chrome Plated Cast Brass
 - Include Alternate Finishes
- Also Includes
 - In-line filter
 - 4 "AA" batteries

Compatibility

Soap Dispenser:



Z6957-SD

Conforms to:

- ADA Compliant
- ASME A112.18.1/CSA B125.1
- cUPC
- Lead Free Compliant
- Texas Accessibility Standard (TAS)



⚠ WARNING: Cancer and Reproductive Harm - www.P65Warnings.ca.gov

⚠ ADVERTENCIA: Cáncer y daño reproductivo - www.P65Warnings.ca.gov

⚠ AVERTISSEMENT: Cancer et effets néfastes sur la reproduction - www.P65Warnings.ca.gov

Meets the American Disabilities Guidelines and ANSI A117.1 requirements when installed according to these requirements.

In Canada - Consult local codes and standards.



Flow Control Option

- E* 1.5 gpm/5.7 Lpm Vandal-Resistant Aerator
- J* 1.5 gpm/5.7 Lpm Vandal-Resistant Laminar Flow
- K* 1.0 gpm/3.8 Lpm Vandal-Resistant Laminar Flow
- L* 1.0 gpm/3.8 Lpm Vandal-Resistant Aerator
- M 0.35 gpm/1.3 Lpm Vandal-Resistant Non-Aerated
- N 0.5 gpm/1.9 Lpm Vandal-Resistant Laminar Flow

Accessories

- MT Mixing Tee
- MV Temperature Mixing Valve
- SH Supply Hoses for Mixing Valve
- TMV Thermostatic Mixing Valve for Multiple Faucets
- TMV-1 Thermostatic Mixing Valve for Single Faucets

Alternate Finishes

- BN Brushed Nickel
- PN Polished Nickel
- PB Polished Brass

* This product should be used with a WaterSense labeled counterpart with a compatible flush volume to ensure that the entire system meets the requirements for water efficiency and performance.

Architectural/Engineering Approval

The information contained in this document is subject to change without notice. Please contact Zurn for most up to date information.



Z6957-XL

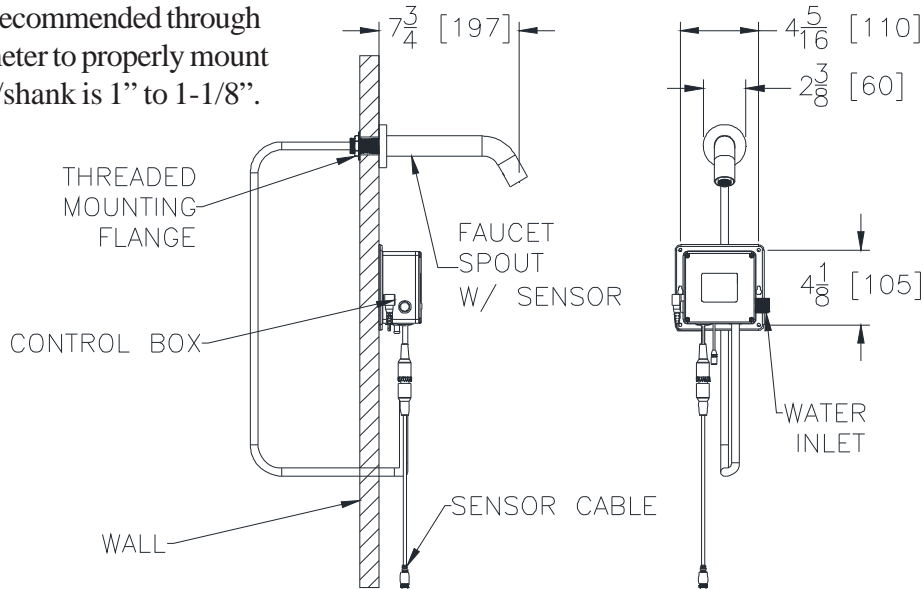
Wall-Mounted Battery-Powered Sensor Faucet

TAG

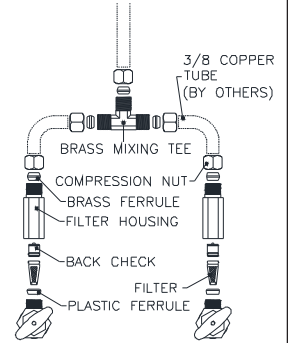
TYPICAL Z6957-XL

AquaSense Battery Powered Faucet

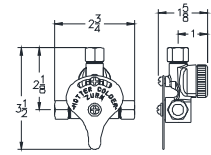
NOTE: Recommended through hole diameter to properly mount the spout/shank is 1" to 1-1/8".



Optional Mixing Valves



P6900-MT Mixing Tee

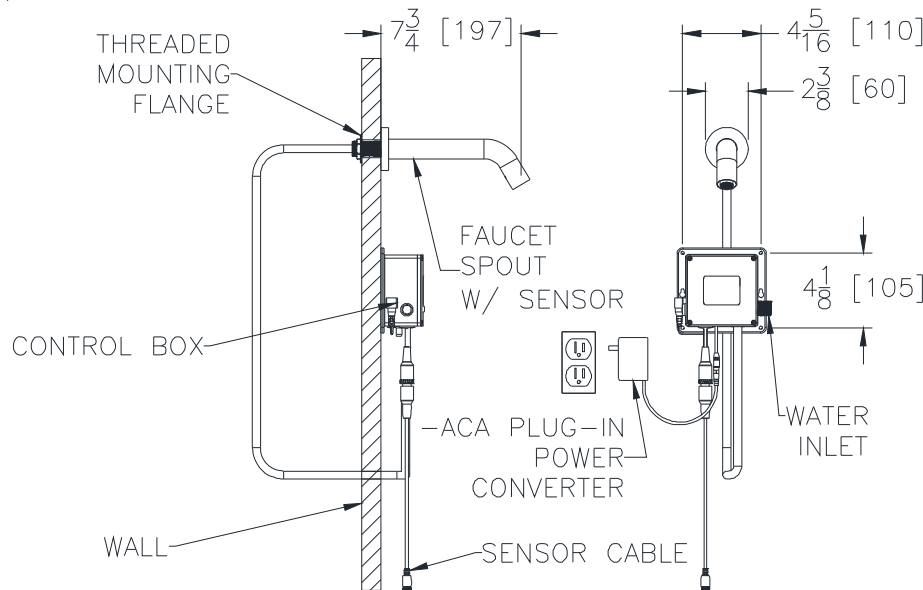


P6900-MV Temperature Mixing Valve

Temperature Mixing Valve

TYPICAL Z6957-XL-ACA

AquaSense Plug-In Powered Faucet



Meets the American Disabilities Guidelines and ANSI A117.1 requirements when installed according to these requirements.

In Canada - Consult local codes and standards.

Zurn Industries, LLC
511 West Freshwater Way, Milwaukee, WI U.S.A. 53204 · Ph. 1-800-997-3876, Fax 919-775-3541

In Canada | Zurn Industries Limited
7900 Goreway Drive Unit 10, Brampton, Ontario L6T5W6 · Ph. 905-405-8272, Fax 905-405-1292

www.zurn.com

Rev. C
Date: 10/17/2017
C.N. No. SAN007865
Prod. | Dwg. No. 316161