

THERMOSTATIC MIXING VALVE



SS-7600-100/3ISA

All Leonard Model 7600 Thermostatic Shower Valves have limitations. Please keep in mind that per the ASSE 1016-2011 Performance Standard, Harmonized along with ASME and CSA, it dictates inlet conditions of equal pressures, 45 PSI on both Hot and Cold Inlets, in addition to a Hot supply temperature range of 140 deg F- 180 deg F. Significant deviations from those conditions stated above will alter performance expectations.

Engineer's Approval	Job # _____
	Arch/Eng. _____
	Contractor _____

© 2015 Leonard Valve Company
Printed in USA

surfashower®

Thermostatic Models

Valve is ASSE 1016 Listed



SS-7600-100/3ISA

SS-7600-102

SS-7600-104

SS-7600-H15

SS7600-100/3ISA

- Copper encapsulated thermostat assembly with brass shuttle, compensates for temperature fluctuations induced by water temperature and pressure changes
- Built-in shutoff for single handle operation
- Integral checkstops
- Cast wall flange and lever handle, polished chrome plated
- Maximum operating pressure: 125 PSI (860 KPA)
- Adjustable high temperature limit stop set for 110°F* (43°C)
- Color-coded dial
- ½" flexible stainless steel hose on inlets
- Capacity of 4 GPM (15 L/min)
- H-06 institutional shower head, 2.5 GPM (95 l/min.) max.
- Exposed parts chrome plated, vandal resistant
- Maximum supply pressure: 125 PSI (860 KPA)
- 18 Ga. Stainless steel cover
- Soap dish
- Factory assembled and tested

SS-7600-102

- H-01 adjustable spray ball joint shower head 2.5 GPM (9.5 l/min.)

SS-7600-104

- H-03 adjustable spray ball joint shower head 2.5 GPM (9.5 l/min.)

SS-7600-H15

- H-15 adjustable spray ball joint massage shower head 1.5 GPM (5.7 l/min.) high-impact ABS body chrome plated

OPTIONS:

___ **SUFFIX VX** - Integral stainless steel extension to ceiling, specify length____". See reverse side to calculate VX length

___ **SUFFIX C102S** - C102S Brass showerhead 2.0 GPM flow rate

___ **SUFFIX ADJ-** 3ISA ONLY Adjustable shower head 2.5 GPM (9.5 l/min)

___ **SUFFIX 1.5-** H-06 Shower head with 1.5 GPM flow rate

Note: Leonard Valve Company reserves the right of product, or design modifications without notice or obligation.



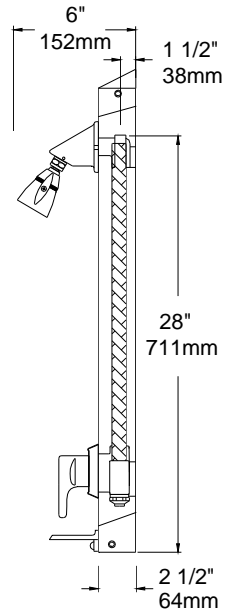
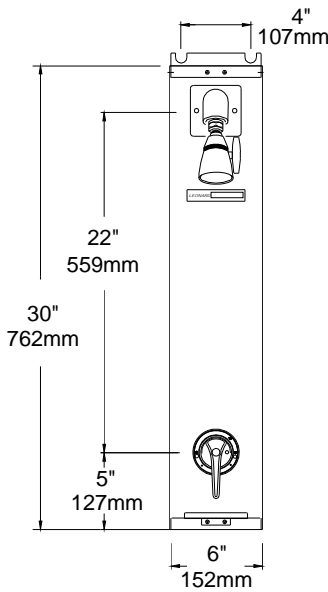
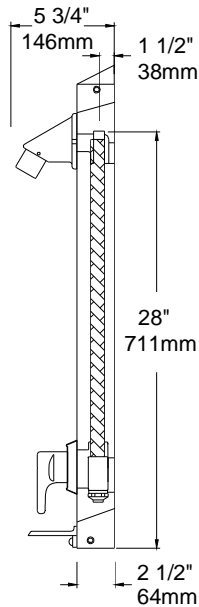
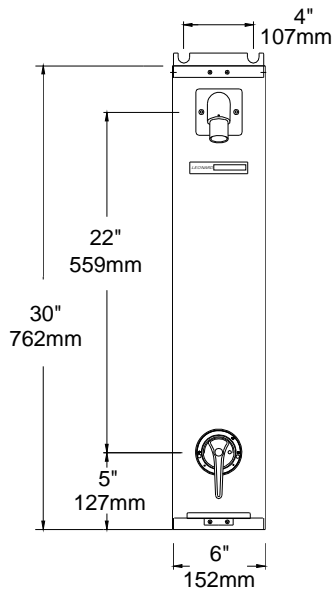
1360 Elmwood Avenue, Cranston, RI 02910 USA

Phone: 401.461.1200 Fax: 401.941.5310

Email: info@leonardvalve.com

Web Site: <http://www.leonardvalve.com>

Thermostatic Models



SUFFIX VX

(For SS-7600-100/3ISA)

VX Length:

To calculate:

**VX Length = Ceiling height
minus shower head height
minus 5" (127mm)**

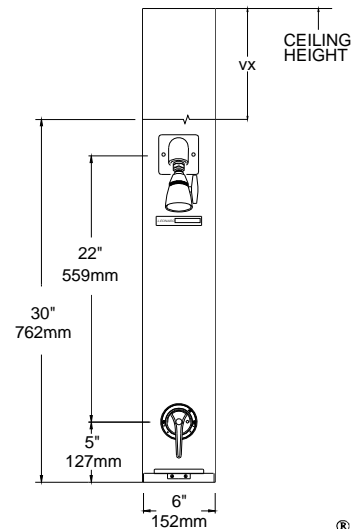
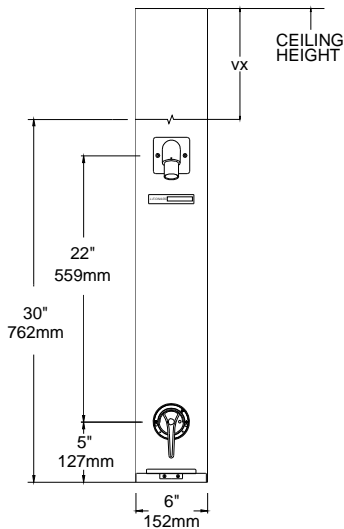
SUFFIX VX

(For SS-7600-104)(102)(H-15)

VX Length:

To calculate:

**VX Length = Ceiling height minus
shower head height minus 7 1/2"
(191mm) (-104)
minus 8 1/4" (209mm) (-102)(H-15)**



1360 Elmwood Avenue, Cranston, RI 02910 USA

Phone: 401.461.1200 Fax: 401.941.5310

Email: info@leonardvalve.com

Web Site: <http://www.leonardvalve.com>