

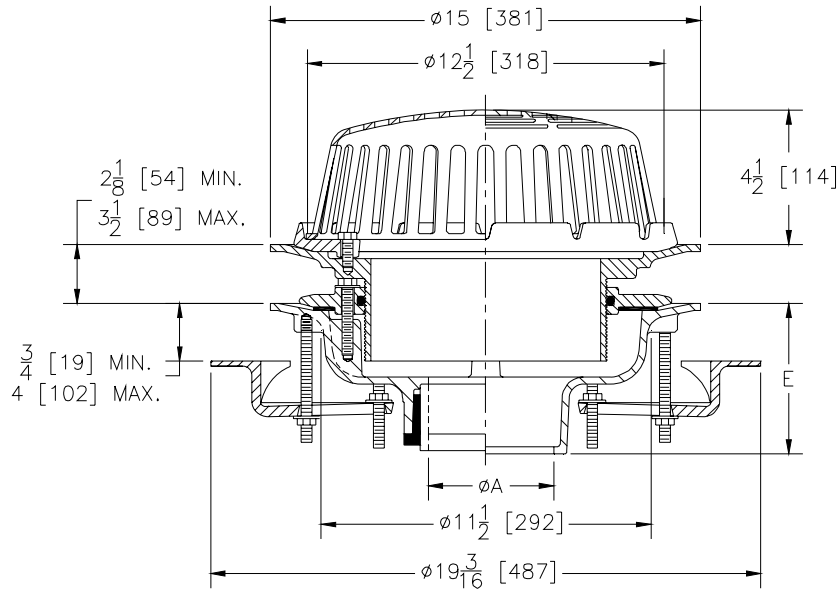


# Z100-C-EA

SPECIFICATION SHEET

15 [381] DIAMETER MAIN ROOF DRAIN LOW SILHOUETTE  
DOME W/ UNDERDECK CLAMP AND ADJUSTABLE EXTENSION TAG \_\_\_\_\_

Dimensional Data (inches and [mm]) are Subject to Manufacturing Tolerances and Change Without Notice



A Pipe Size In.	Approx. Wt. Lbs. [kg]	Dome Open Area Sq. In. [cm <sup>2</sup> ]
2,3,4 [51,76,102]	60 [27]	103 [665]
5,6 [127,152]	60 [27]	
8 [203]	60 [27]	

### ENGINEERING SPECIFICATION: ZURN Z100-C-EA

15 [381] Diameter roof drain. Dura-Coated cast iron body with combination membrane flashing clamp/gravel guard, adjustable extension, underdeck clamp and low silhouette Poly-Dome.

### OPTIONS (Check/specify appropriate options)

#### PIPE SIZE

- 2 thru 6,8 [51 thru 152,203]
- 2 thru 6,8 [51 thru 152,203]
- 2 thru 6,8 [51 thru 152,203]
- 2,3,4 [51,76,102]
- 6 [152]

#### (Specify size/type) OUTLET

- \_\_\_ IC Inside Caulk
- \_\_\_ IP Threaded
- \_\_\_ NH No-Hub
- \_\_\_ NL Neo-Loc
- \_\_\_ NL Neo-Loc

#### E BODY HT. DIM.

- 5 1/4 [133]
- 3 3/4 [95]
- 5 1/4 [133]
- 4 9/16 [116]
- 5 7/16 [112]

#### PREFIXES

- \_\_\_ Z D.C.C.I. Body with Poly-Dome\*
- \_\_\_ ZA D.C.C.I. Body with Aluminum Dome
- \_\_\_ ZC D.C.C.I. Body with Cast Iron Dome
- \_\_\_ ZRB D.C.C.I. Body with Plain Bronze Dome

#### SUFFIXES

- |   |   |
|---|---|
| ___ -AR Acid Resistant Epoxy Coated   | ___ -W2 2 [51] Internal Water Dam                               |
| ___ -AW 3/4 [19] to 4 [102] Adj. Water Level Regulator<br>(Specify Height) (ZC Only)                        | ___ -W3 3 [76] Internal Water Dam                               |
| ___ -BS Bronze Mesh Screen Over Dome  | ___ -W4 4 [102] Internal Water Dam                              |
| ___ -DX Dex-o-tex Flange  | ___ -84 Stainless Steel Perforated Gravel Guard                 |
| ___ -E Static Extension 1 [25] thru 4 [102] (Specify Ht.)   | ___ -85 Stainless Steel Perforated Extension                    |
| ___ -FG Flush Grate (Replaces Dome Strainer)  | ___ -89 2 [51] High External Water Dam                          |
| ___ -G Galvanized Cast Iron   | ___ -90 90° Threaded Side Outlet Body<br>(2 thru 6 [51 or 152]) |
| ___ -GD Galvanized Cast Iron Dome (ZC Only)   |   |
| ___ -HD 6 3/4 [171] High Aluminum Dome Strainer<br>(148 Sq. In. [955 cm <sup>2</sup> ] Open Area) (ZA Only) |   |
| ___ -R Roof Sump Receiver   |   |
| ___ -SC Secondary Clamp Collar  |   |
| ___ -SS Stainless Steel Mesh Screen Over Dome   |   |
| ___ -ST Dome with Solid Top (ZA, ZC & ZRB Only)   |   |
| ___ -TC Neo-Loc Test Cap Gasket<br>(2 - 4 [51 - 102] NL Bottom Outlet Only)                                 |   |
| ___ -VP Vandal-Proof Secured Top  |   |

\*REGULARLY FURNISHED UNLESS OTHERWISE SPECIFIED

REV. DATE: 6/8/10 C.N. NO. 111243

DWG. NO. 300829 PRODUCT NO. Z100-C-EA

ZURN INDUSTRIES, LLC ♦ SPECIFICATION DRAINAGE OPERATION ♦ 1801 Pittsburgh Ave. ♦ Erie, PA 16514

Phone: 814/455-0921 ♦ Fax: 814/454-7929 ♦ World Wide Web: www.zurn.com

In Canada: ZURN INDUSTRIES LIMITED ♦ 3544 Nashua Drive ♦ Mississauga, Ontario L4V1L2 ♦ Phone: 905/405-8272 Fax: 905/405-1292