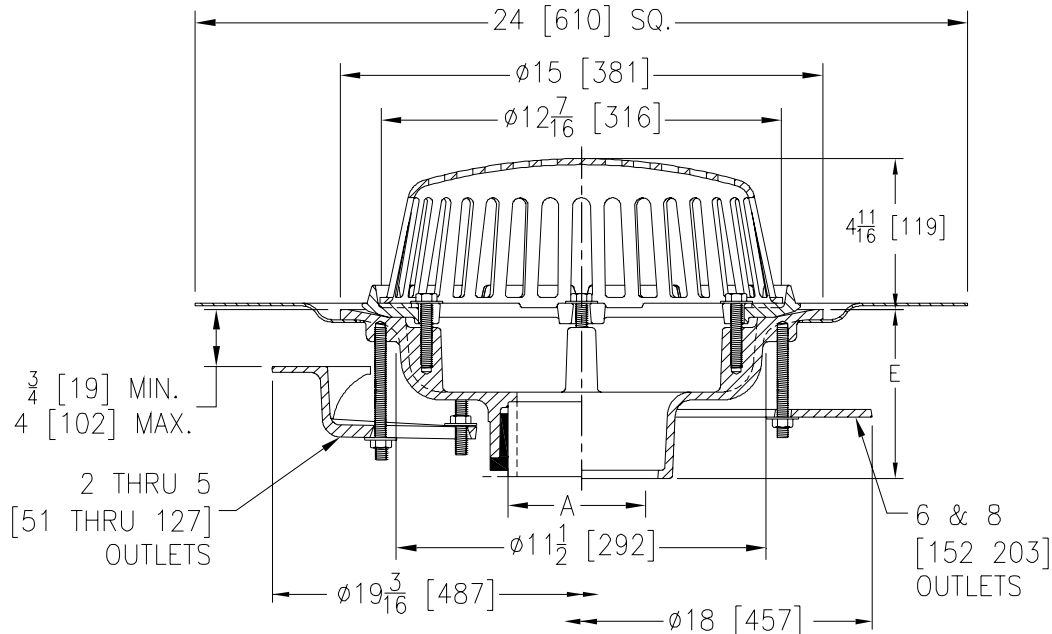




Z100-C-R
 15 [381] DIAMETER MAIN ROOF DRAIN W/ LOW
 SILHOUETTE DOME, UNDERDECK CLAMP &
 ROOF SUMP RECEIVER

SPECIFICATION SHEET
 TAG _____

Dimensional Data (inches and [mm]) are Subject to Manufacturing Tolerances and Change Without Notice



A Pipe Size In.	Approx. Wt. Lbs. [kg]	Dome Open Area Sq. In. [cm ²]
2,3,4 [51,76,102]	26 [12]	103 [665]
5,6 [127,152]	27 [12]	
8 [203]	28 [13]	

ENGINEERING SPECIFICATION: ZURN Z100-C-R

15 [381] Diameter roof drain. Dura-Coated cast iron body with combination membrane flashing clamp/gravel guard, low silhouette Poly-Dome, roof sump receiver and underdeck clamp.

OPTIONS (Check/specify appropriate options)

PIPE SIZE

- 2 thru 6,8 [51 thru 152,203]
- 2 thru 6,8 [51 thru 152,203]
- 2 thru 6,8 [51 thru 152,203]
- 2,3,4 [51,76,102]
- 6 [152]

(Specify size/type) **OUTLET**

- _____ IC Inside Caulk
- _____ IP Threaded
- _____ NH No-Hub
- _____ NL Neo-Loc
- _____ NL Neo-Loc

E BODY HT. DIM.

- 5 1/4 [133]
- 3 3/4 [95]
- 5 1/4 [133]
- 4 9/16 [116]
- 5 7/16 [112]

PREFIXES

- _____ Z D.C.C.I. Body with Poly-Dome*
- _____ ZA D.C.C.I. Body with Aluminum Dome
- _____ ZC D.C.C.I. Body with Cast Iron Dome
- _____ ZRB D.C.C.I. Body with Plain Bronze Dome

SUFFIXES

- | | |
|--|--|
| _____ -AR Acid Resistant Epoxy Coated | _____ -ST Dome with Solid Top (ZA, ZC & ZRB Only) |
| _____ -AW 3/4 [19] to 4 [102] Adj. Water Level Regulator (Specify Height) (ZC Only) | _____ -TC Neo-Loc Test Cap Gasket (2 - 4 [51 - 102] NL Bottom Outlet Only) |
| _____ -BS Bronze Mesh Screen Over Dome | _____ -VP Vandal-Proof Secured Top |
| _____ -C Underdeck Clamp | _____ -W2 2 [51] Internal Water Dam |
| _____ -E Static Extension 1 [25] thru 4 [102] (Specify Ht.) | _____ -W3 3 [76] Internal Water Dam |
| _____ -EA Adjustable Extension Assembly 2 1/8 [54] thru 3 1/2 [89] | _____ -W4 4 [102] Internal Water Dam |
| _____ -FG Flush Grate (Replaces Dome Strainer) | _____ -84 Stainless Steel Perforated Gravel Guard |
| _____ -G Galvanized Cast Iron | _____ -85 Stainless Steel Perforated Extension |
| _____ -GD Galvanized Cast Iron Dome (ZC Only) | _____ -89 2 [51] High External Water Dam |
| _____ -HD 6 3/4 [171] High Aluminum Dome Strainer (148 sq.in [955 cm ²] open area) (ZA Only) | _____ -90 90° Threaded Side Outlet Body (2 thru 6 [51 or 152]) |
| _____ -SC Secondary Clamp Collar | |
| _____ -SS Stainless Steel Mesh Screen Over Dome | |

*REGULARLY FURNISHED UNLESS OTHERWISE SPECIFIED

REV. B DATE: 8/18/08 C.N. NO. 98989

DWG. NO. 56887 PRODUCT NO. Z100-C-R

ZURN INDUSTRIES, LLC ♦ SPECIFICATION DRAINAGE OPERATION ♦ 1801 Pittsburgh Ave. ♦ Erie, PA 16514

Phone: 814455-0921 ♦ Fax: 814454-7929 ♦ World Wide Web: www.zurn.com

In Canada: ZURN INDUSTRIES LIMITED ♦ 3544 Nashua Drive ♦ Mississauga, Ontario L4V1L2 ♦ Phone: 905405-8272 Fax: 905405-1292