



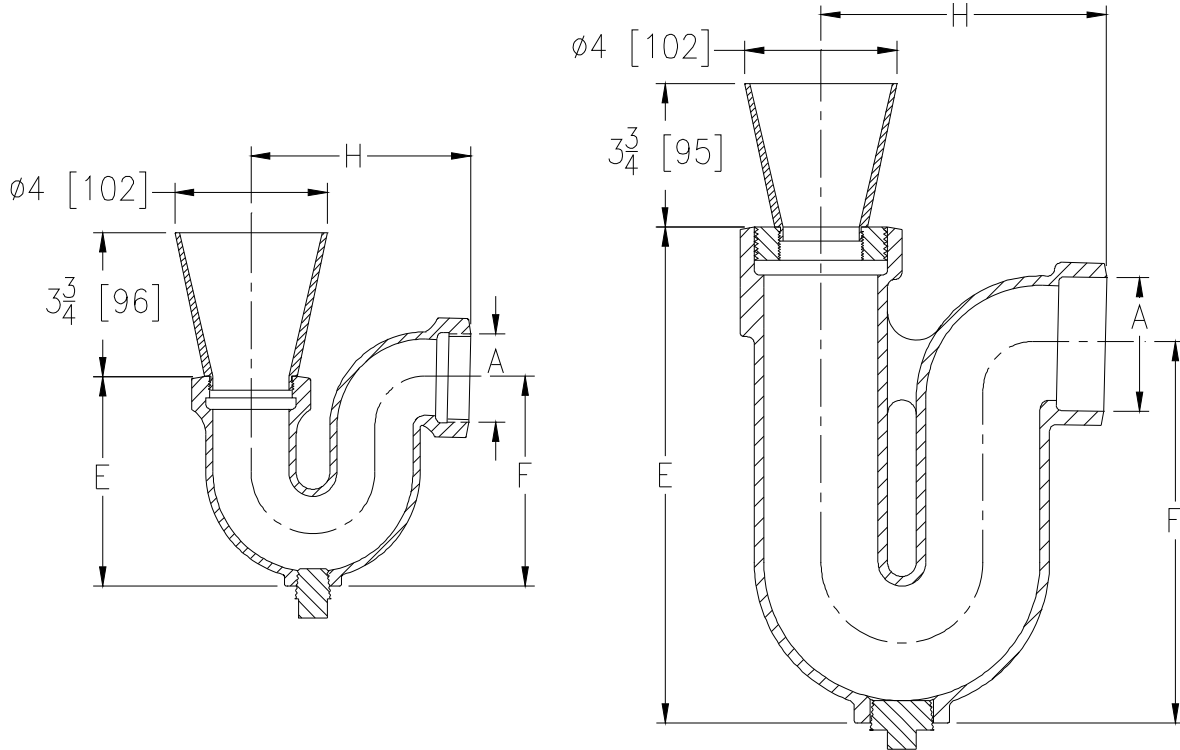
Z1019

FUNNEL DRAIN WITH "P" TRAP

SPECIFICATION SHEET

TAG _____

Dimensional Data (inches and [mm]) are Subject to Manufacturing Tolerances and Change Without Notice



Dimensions In Inches				Approx. Wt. Lbs. [kg]
A Pipe Size	E	F	H	
2 [50]	4-1/4 [108]	5-1/2 [140]	5-3/4 [146]	10 [5]
3 [75]	13 [330]	10 [254]	7-1/2 [190]	19 [9]

ENGINEERING SPECIFICATION: ZURN Z1019 Dura-Coated cast iron combination funnel and trap drain, complete with bronze bottom cleanout plug.

CONNECTIONS (Check/specify appropriate options)

PIPE SIZE _____ (Specify size) **CONNECTION** _____

2-3 [50-75] _____ IP Threaded

PREFIXES

- _____ Z D.C.C.I. Body and Top*
- _____ ZAB Bronze Body with Polished Bronze Top
- _____ ZABN Bronze Body with Polished Nickel Bronze Top

SUFFIXES

- _____ -AR Acid Resisting Epoxy Coated Finish
- _____ -DS Dome Strainer
- _____ -F6 6 [152] High x 6 [152] Diameter Funnel
- _____ -G Galvanized Cast Iron

REV. D	DATE: 10/29/10	C.N. NO. 120180
DWG. NO. 58888	PRODUCT NO. Z1019	

*REGULARLY FURNISHED UNLESS OTHERWISE SPECIFIED