

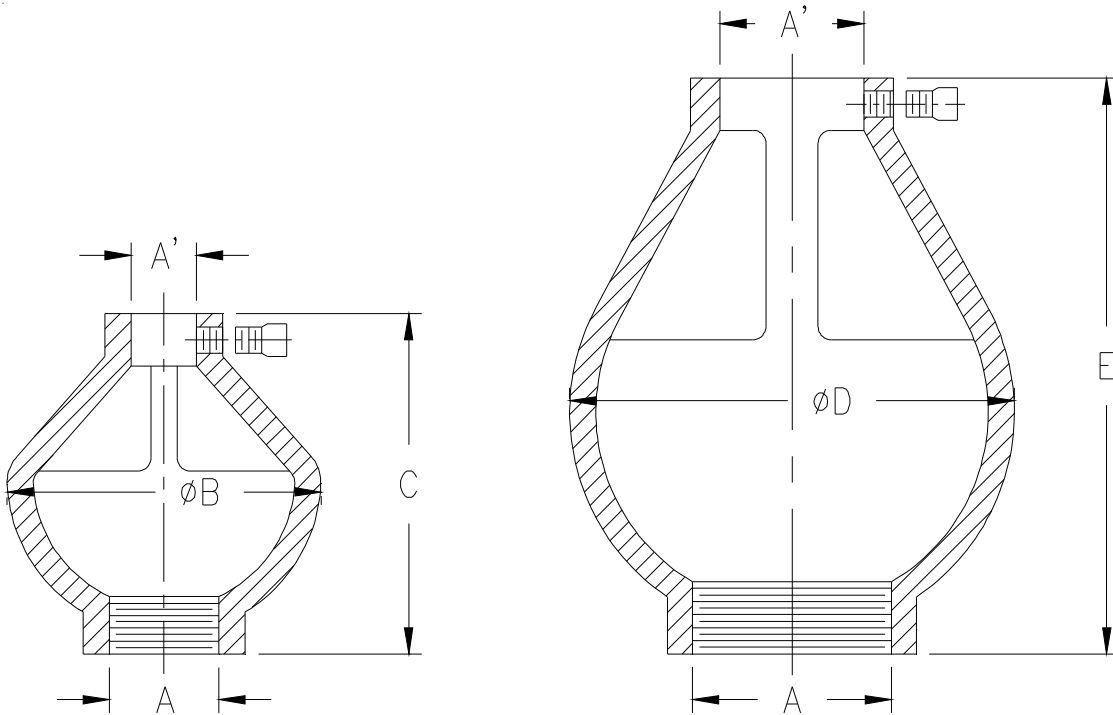


Z1024 FIXED AIR GAP

SPECIFICATION SHEET

TAG _____

Dimensional Data (inches and [mm]) are Subject to Manufacturing Tolerances and Change Without Notice



Product Designation	Dimensions In Inches					Approx. Wt. Lbs. [kg]
	Pipe Size	B	C	D	E	
	A' x A SJ x N.P.T.					
-1	1/4 X 3/4 [6 X 19]	3 [76]	3-1/4 [83]	----	-----	1 [.5]
-2	1/2 X 3/4 [13 X 19]	----	----	4-1/4 [108]	5-1/2 [140]	3 [1]
-3	1/2 X 1 [13 X 25]	----	----	4-1/4 [108]	5-1/2 [140]	3 [1]
-4	3/4 X 1-1/2 [19 X 38]	----	----	4-1/4 [108]	5-1/2 [140]	3 [1]
-5	1 X 1-1/2 [25 X 38]	----	----	4-1/4 [108]	5-1/2 [140]	3 [1]

ENGINEERING SPECIFICATION: ZURN Z1024

Fixed Air Gap, Dura-Coated cast iron body with slip joint inlet and N.P.T. outlet.

CONNECTIONS (Check/specify appropriate options)

PIPE SIZE

See Chart

(Specify size) **CONNECTION**

____ SJ X N.P.T. Slip Joint x N.P.T.

PREFIXES

____ Z D.C.C.I.*

SUFFIXES

____ -G Galvanized Cast Iron

REV. C	DATE: 08/10/12	C.N. NO. 124644
DWG. NO. 61451	PRODUCT NO. Z1024	

*REGULARLY FURNISHED UNLESS OTHERWISE SPECIFIED