

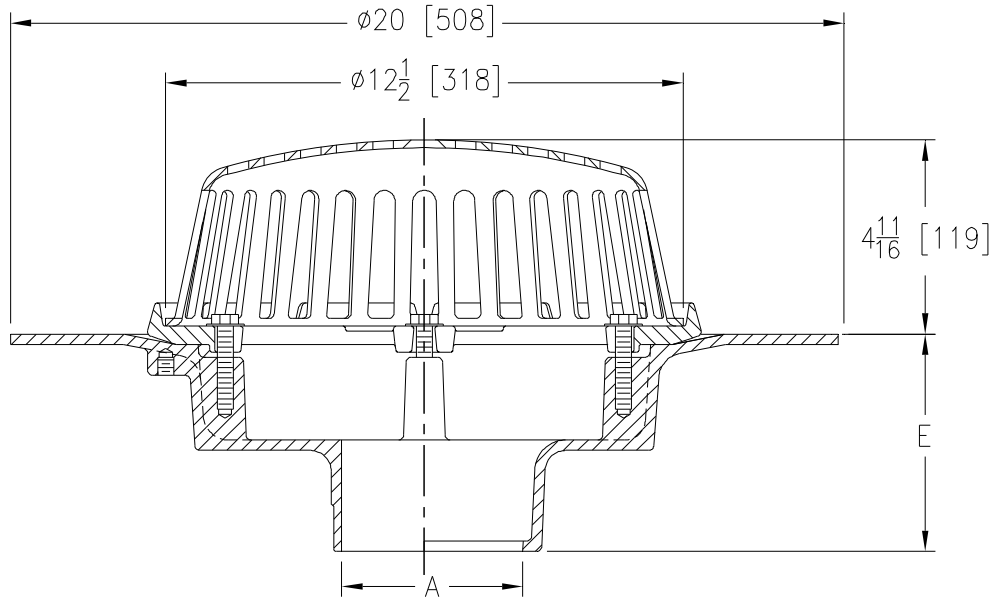
**Z107**

20 [508] WIDE DECK FLANGE ROOF DRAIN

SPECIFICATION SHEET

TAG _____

Dimensional Data (inches and [mm]) are Subject to Manufacturing Tolerances and Change Without Notice



A Pipe Size In.	Approx. Wt. Lbs. [kg]	Dome Open Area Sq. In. [cm ²]
3-4 [76-102]	39 [18]	103 [665]
6-8 [152-203]		

ENGINEERING SPECIFICATION: ZURN Z107

20 [508] Diameter wide deck flange roof drain. Dura-Coated cast iron body with combination membrane flashing clamp/gravel guard and low silhouette Poly-Dome.

OPTIONS (Check/specify appropriate options)**PIPE SIZE**

3-4-6 [76-102-152]
 3-4 [76-102]
 3-4-6-8 [76-102-152-203]

(Specify size/type) **OUTLET**

___ IC Inside Caulk
 ___ IP Threaded
 ___ NH No-Hub

E BODY HT. DIM.

5-1/4 [133]
 5-1/4 [133]
 5-1/4 [133]

PREFIXES

___ Z D.C.C.I. Body with Poly-Dome*
 ___ ZA D.C.C.I. Body with Aluminum Dome
 ___ ZC D.C.C.I. Body with Cast Iron Dome
 ___ ZRB D.C.C.I. Body with Plain Bronze Dome

SUFFIXES

___ -AC Angular Underdeck Clamp	___ -GD Galvanized Cast Iron Dome (ZC Only)
___ -AR Acid Resistant Epoxy Coated	___ -SS Stainless Steel Mesh Screen Over Dome
___ -AW 3/4 [19] to 4 [102] Adjustable Water Level Regulator (Specify Ht.) (ZC Only)	___ -VP Vandal-Proof Secured Top
___ -BS Bronze Mesh Screen Over Dome	___ -W2 2 [51] Internal Water Dam
___ -C Underdeck Clamp	___ -W3 3 [76] Internal Water Dam
___ -E Static Extension 1 [25] thru 4 [102] (Specify Ht.)	___ -W4 4 [102] Internal Water Dam
___ -EA Adjustable Extension Assembly 2-1/8 [54] thru 3-1/2 [89]	___ -XJ Vertical Expansion Joint (See Z190)
___ -FG Flush Grate (Replaces Dome Strainer)	___ -84 Stainless Steel Perforated Gravel Guard
___ -G Galvanized Cast Iron	___ -85 Stainless Steel Perforated Extension
	___ -89 2 [51] High External Water Dam

* Regularly furnished unless otherwise specified.