



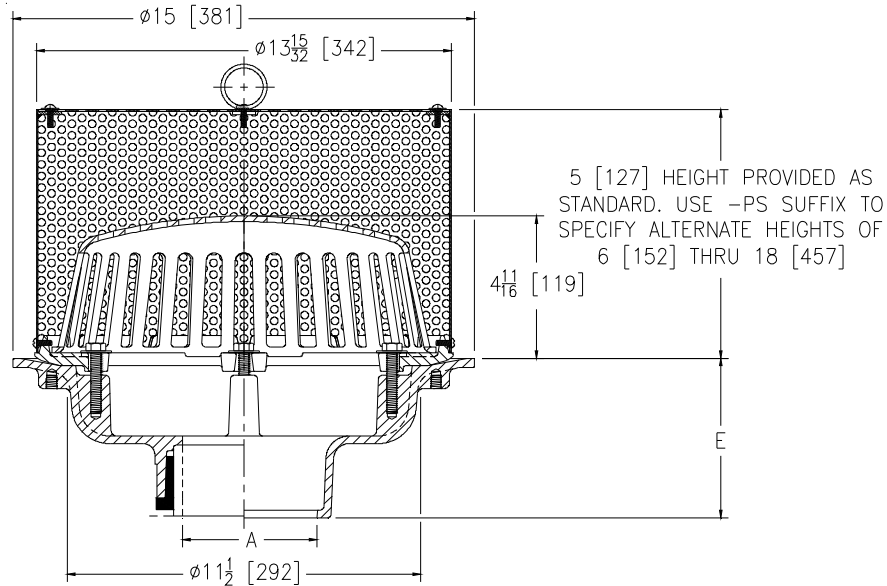
Z110

Ø15 [381] MAIN GREEN ROOF DRAIN W/ PERFORATED SCREEN ASS'Y, & REMOVABLE COVER W/ LIFT HANDLE

SPECIFICATION SHEET

TAG _____

Dimensional Data (inches and [mm]) are Subject to Manufacturing Tolerances and Change Without Notice



A	Approx. Wt. Lbs.	Dome Open Area
2,3,4 [51,76,102]	30 [14]	103 [665]
5,6 [127,152]	32 [15]	
8 [203]	33 [15]	

ENGINEERING SPECIFICATION: ZURN Z110

Ø15 [381] Green Roof Drain. Dura-Coated cast iron body with combination membrane flashing clamp/gravel guard and low silhouette Poly-Dome. Complete with secured type 304 (CF8) stainless steel perforated screen assembly with secured removable access cover with lift handle.

OPTIONS (Check/specify appropriate options)

PIPE SIZE

- 2 thru 6,8 [51 thru 152,203]
- 2 thru 6,8 [51 thru 152,203]
- 2 thru 6,8 [51 thru 152,203]
- 2,3,4 [51,76,102]
- 6 [152]

(Specify size/type) OUTLET

- _____ C Inside Caulk
- _____ P Threaded
- _____ NH No-Hub
- _____ NL Neo-Loc
- _____ NL Neo-Loc

E BODY HT. DIM.

- 5-1/4 [133]
- 3-3/4 [95]
- 5-1/4 [133]
- 4-9/16 [116]
- 5-7/16 [112]

PREFIXES

- _____ Z D.C.C.I. Body with Poly-Dome*
- _____ ZA D.C.C.I. Body with Aluminum Dome
- _____ ZC D.C.C.I. Body with Cast Iron Dome
- _____ ZRB D.C.C.I. Body with Plain Bronze Dome

SUFFIXES

- | | |
|--|---|
| _____ -AC Angular Underdeck Clamp | _____ -PS Perforated Screen 6 [152] thru 18 [457] (Specify Height Required) |
| _____ -AR Acid Resistant Epoxy Coated | _____ -R Roof Sump Receiver |
| _____ -C Underdeck Clamp | _____ -SC Secondary Clamp Collar |
| _____ -DE Deck Extension | _____ -ST Dome with Solid Top (ZA, ZC & ZRB Only) |
| _____ -DP Top-Set® Deck Plate (Replaces both the -C and -R) | _____ -TC Neo-Loc Test Cap Gasket (2 - 4 [51 - 102] NL Bottom Outlet Only) |
| _____ -DR Top-Set® Drain Riser | _____ -VP Vandal-Proof Secured Screen Cover |
| _____ -DX Dex-o-tex Flange | _____ -W2 2 [51] Internal Water Dam |
| _____ -E Static Extension 1 [25] thru 4 [102] (Specify Ht.) | _____ -W3 3 [76] Internal Water Dam |
| _____ -EA Adjustable Extension Assembly 2-1/8 [54] thru 3-1/2 [89] | _____ -W4 4 [102] Internal Water Dam |
| _____ -EB Top-Set® Adjustable Extension Assembly | _____ -85 Stainless Steel Perforated Extension |
| _____ -FG Flush Grate (Replaces Dome Strainer) | _____ -90 90° Threaded Side Outlet Body (2 thru 6 [51 or 152]) |
| _____ -G Galvanized Cast Iron | |
| _____ -GD Galvanized Cast Iron Dome (ZC Only) | |

* Regularly furnished unless otherwise specified.