



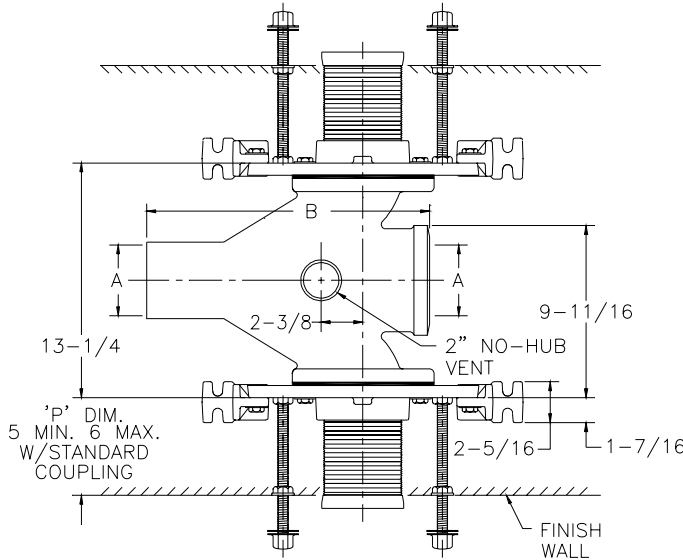
Z-1203-HD

ADJUSTABLE HORIZONTAL SIPHON JET Hub & Spigot

SPECIFICATION SHEET

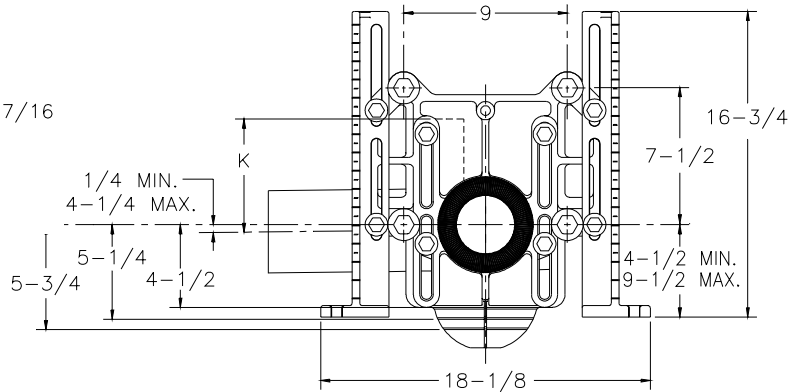
TAG _____

Dimensional Data (inches and [mm]) are Subject to Manufacturing Tolerances and Change Without Notice



Note:

1. Min. 'P' Dim. Obtainable=2"
2. Feet bolted to floor using min. 1/2 dia. bolts and back slots on carrier feet.



Product No.	Dimensions In Inches		Approx. Wt. Lbs.
	B	K	
Z-1203-HD4	16	6 1/8	75
ZE-1203-HD4	39	6 1/8	125
Z-1203-HD5	16	6 5/8	80
ZE-1203-HD5	39	6 5/8	130

ENGINEERING SPECIFICATION: ZURN Z-1203-HD() Adjustable, horizontal siphon jet water closet "Rigid System" with 4 or 5 Hub & Spigot connections. Complete with Dura-Coated cast iron right hand or left hand main fitting, with 2" vent, adjustable gasketed face plate, universal floor mounted foot supports, corrosion resistant adjustable ABS coupling with integral test cap, fixture bolts, trim, and stud protectors. Rear anchor tie down and bonded "Neo-Seal" gasket.

PRODUCT/DEFINITION

- Z-1203-HR4,5** 4" or 5" Caulk, Back to Back Inlet (Double)
ZE-1203-HL4,5 4" or 5" Caulk, Back to Back Inlet (Double)

PREFIXES

- ___ **Z-** D.C.C.I. System with Zurn "ZZ" Adjustable Coupling*
- ___ **ZE-** D.C.C.I. System with Elongated Fitting
- ___ **ZQ-** D.C.C.I. System with Non-Adjustable Coupling

SUFFIXES

- ___ **-A** Auxiliary Support Assembly (For "P" Dim. Greater than 18")
- ___ **-B** Blowout Type Fixture Support
- ___ **-BC** Back Cleanout
- ___ **-CC** Cast Iron Coupling 6" Long
- ___ **-CL** Coupling Length Greater Than Standard 12" (Specify length if greater than 6")
- ___ **-F** Floor Mounted Back Outlet, Fixture Support
- ___ **-G** Galvanized Cast Iron
- ___ **-M** Auxiliary Foot Support (For P-Dim. 10"-18")
- ___ **-T** Threaded Stack Connection (Available on Restricted Basis Only)
- ___ **-VP** Vandal Proof Trim
- ___ **-W** Adapter for Womens Urinal
- ___ **-29** Mechanical Test Cap Assembly (Previously Z-1210-29)
- ___ **-45** Finishing Frame for Siphon Jet Closet (For Blowout System Specify -45-B) (Previously Z-1210-45)
- ___ **-50** Flush Valve Supply Support for Water Closets (Previously Z-1210-50)
- ___ **-61** "ZZ" Coupling Wrench

*REGULARLY FURNISHED UNLESS OTHERWISE SPECIFIED

REV. B	DATE: 8/9/94	C.N. NO. 69939	
DWG. NO. 54356	PRODUCT NO. Z-1203-HD		

ZURN INDUSTRIES, INC. ♦ SPECIFICATION DRAINAGE OPERATION ♦ 1801 Pittsburgh Ave. ♦ Erie, PA 16514

Phone: 814455-0921 ♦ Fax: 814454-7929 ♦ World Wide Web: www.zurn.com

In Canada: ZURN INDUSTRIES LIMITED ♦ 3544 Nashua Drive ♦ Mississauga, Ontario L4V1L2 ♦ Phone: 905405-8272 Fax: 905405-1292