



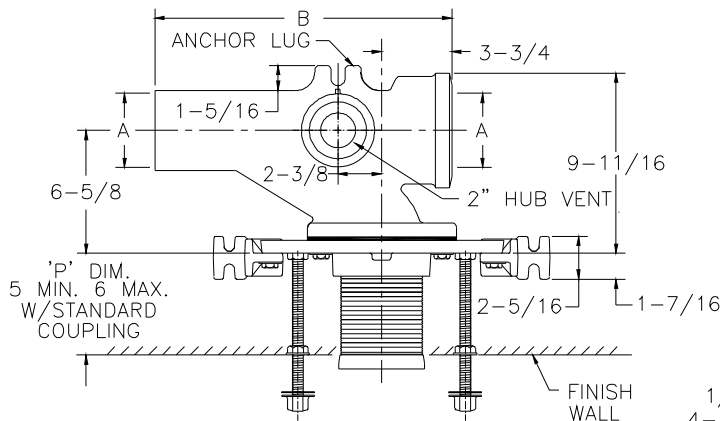
Z1203-H

ADJUSTABLE HORIZONTAL SIPHON JET HUB & SPIGOT

SPECIFICATION SHEET

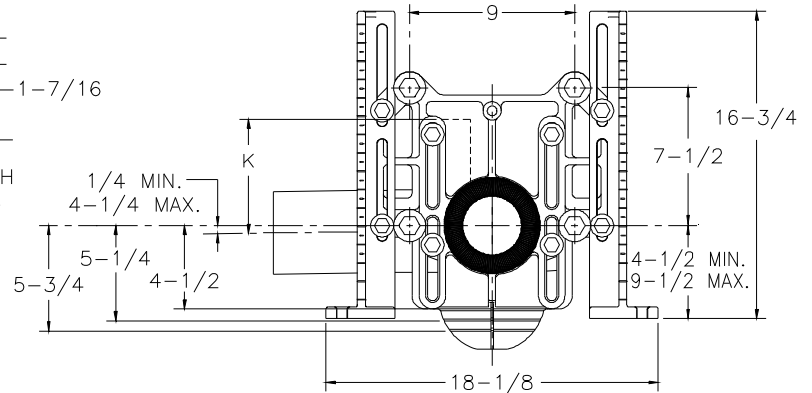
TAG _____

Dimensional Data (inches and [mm]) are Subject to Manufacturing Tolerances and Change Without Notice



Note:

1. Min. 'P' Dim. Obtainable=2"
2. Feet bolted to floor using min. 1/2 dia. bolts and back slots on carrier feet.
3. Back anchor foot required for secure installation.



Product No.	Dimensions In Inches				Approx. Wt. Lbs.
	A	B	K	N	
Z1203-HL4/NR4	4	16	6-1/8	9-3/4	75
ZE1203-HL4/HR4	4	39	6-1/8	9-1/4	125
Z1203-HL5/HR5	5	16	6-5/8	10-1/8	80
ZE1203-HL5/HR5	5	39	6-5/8	10-1/8	130

ENGINEERING SPECIFICATION: ZURN Z1203-H ()
 Adjustable, horizontal siphon jet water closet "Rigid System" with 4 or 5 Hub & Spigot connections. Complete with Dura-Coated cast iron right hand or left hand main fitting, with 2" vent, adjustable gasketed face plate, universal floor mounted foot supports, corrosion resistant adjustable ABS coupling with integral test cap, fixture bolts, trim, and stud protectors. Rear anchor tie down and bonded "Neo-Seal" gasket.

PRODUCT/DEFINITION

- Z1203-HR4,5** 4" or 5" Caulk, Right Hand Inlet with Flow to Left
- Z1203-HL4,5** 4" or 5" Caulk, Left Hand Inlet with Flow to Right
- ZE1203-HL4,5** 4" or 5" Caulk, Left Hand Inlet with Flow to Right
- ZE1203-HR4,5** 4" or 5" Caulk, Right Hand Inlet with Flow to Left

PREFIXES

- _____ **Z-** D.C.C.I. System with Zurn "ZZ" Adjustable Coupling*
- _____ **ZE-** D.C.C.I. System with Elongated Fitting
- _____ **ZQ-** D.C.C.I. System with Non-Adjustable Coupling

SUFFIXES

- | | |
|--|---|
| <ul style="list-style-type: none"> _____ -A Auxiliary Support Assembly (For 'P' Dim. Greater than 18") _____ -B Blowout Type Fixture Support _____ -BC Back Cleanout _____ -CC Cast Iron Coupling 6" Long _____ -CL Coupling Length Greater Than Standard 12" (Specify length if greater than 6") _____ -F Floor Mounted Back Outlet, Fixture Support _____ -G Galvanized Cast Iron _____ -M Auxiliary Foot Support (For P-Dim. 10"-18") _____ -PF Pre-Fab Foot _____ -PF Pre-Fab Slotted Foot _____ -RYK Unistrut Pre-Fab Foot _____ -T Threaded Stack Connection (Available on Restricted Basis Only) | <ul style="list-style-type: none"> _____ -VP Vandal Proof Trim _____ -29 Mechanical Test Cap Assembly (Previously Z1210-29) _____ -45 Finishing Frame for Siphon Jet Closet (For Blowout System Specify -45-B) (Previously Z1210-45) _____ -50 Flush Valve Supply Support for Water Closets (Previously Z1210-50) _____ -61 "ZZ" Coupling Wrench _____ -X3 3 [76] Carrier Foot Extension _____ -X4 4 [102] Carrier Foot Extension |
|--|---|

*REGULARLY FURNISHED UNLESS OTHERWISE SPECIFIED

REV. C	DATE: 07/24/12	C.N. NO. 124612
DWG. NO. 54335	PRODUCT NO. Z1203-H	