

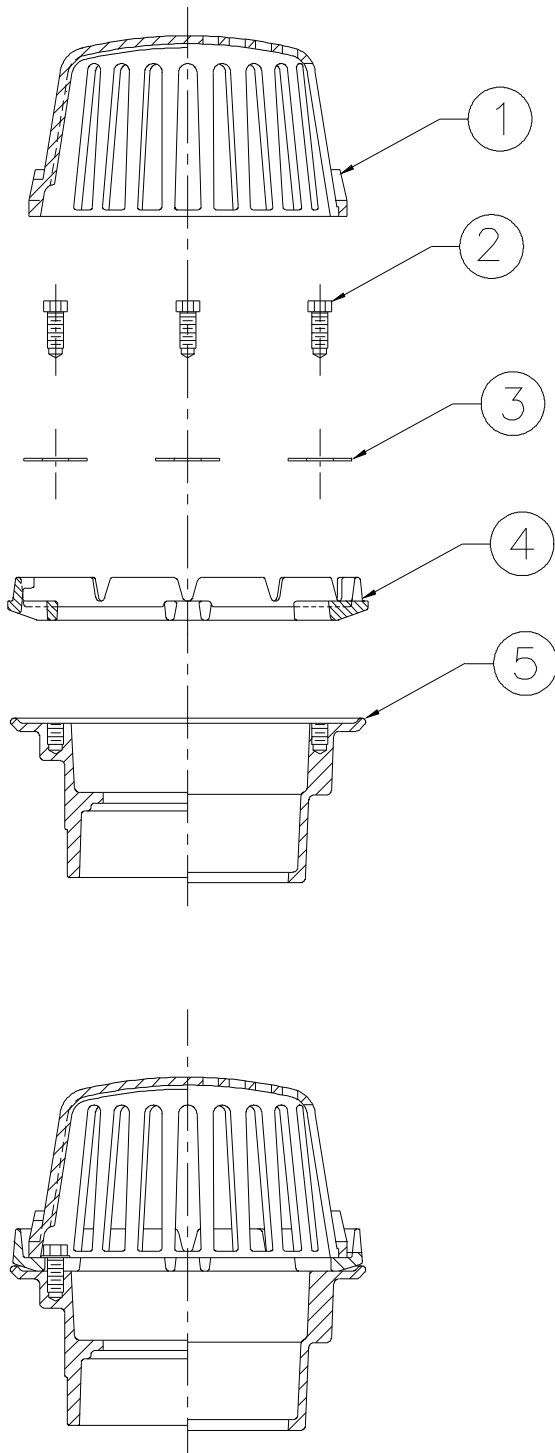


# Z125

## 8" DIAMETER ROOF DRAIN

### EXPLODED PARTS LIST

Dimensional Data (inches and [ mm ]) are Subject to Manufacturing Tolerances and Change Without Notice



### Z125

#### PARTS LIST

Item	Name	Part Number	Quan.
1	Dome	56586	1
2	3/8 Cap Screw	26050	4
3	3/8 Nom. Washer	14858	4
4	Clamping Collar	56585	1
5	Body	55837	1

Form # RD21

Date: 10/6/06

C.N. No. 95698

Rev. A

ZURN INDUSTRIES, INC. ♦ SPECIFICATION DRAINAGE OPERATION ♦ 1801 Pittsburgh Ave. ♦ Erie, PA 16514  
Phone: 814/455-0921 ♦ Fax: 814/454-7929 ♦ World Wide Web: www.zurn.com

In Canada: ZURN INDUSTRIES LIMITED ♦ 3544 Nashua Drive ♦ Mississauga, Ontario L4V1L2 ♦ Phone: 905/405-8272 Fax: 905/405-1292