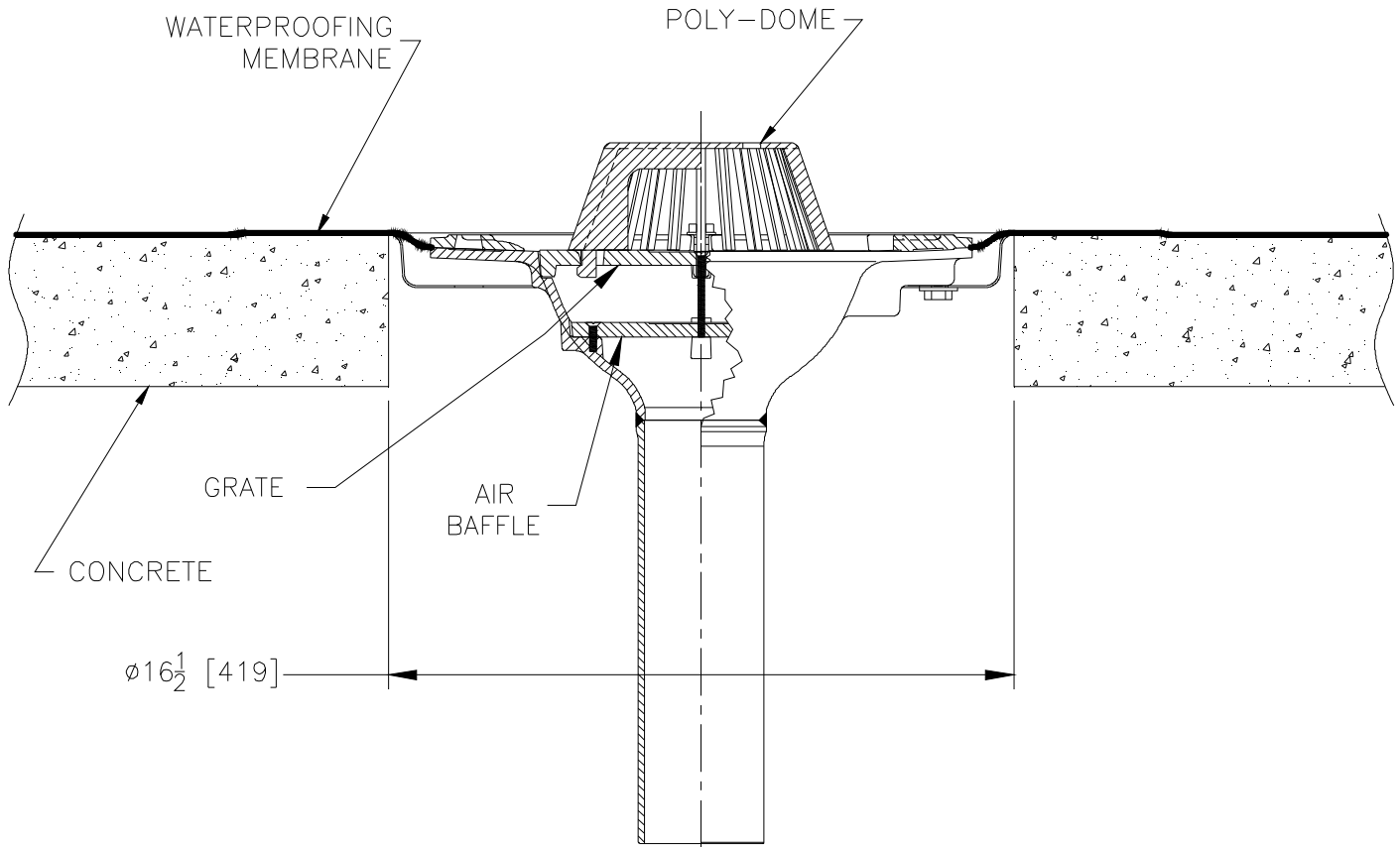




TYPICAL INSTALLATION FOR Z130 SIPHONIC ROOF DRAIN

Dimensional Data (inches and [mm]) are Subject to Manufacturing Tolerances and Change Without Notice



Z130 CONCRETE DECK WITH WATERPROOFING MEMBRANE

Siphonic roof drain is typically installed in a precast concrete deck with a liquid or sheet applied waterproofing membrane. Drain is illustrated with a Top-set Deck Plate, which should be secured to the concrete deck through slots in the plate, using Tapcons or other suitable fasteners. Securing the drain to the deck prevents movement that could damage the membrane. Dome may be removed, as the siphonic drain will flush most debris through the system due to its high velocity flow. Grate should be cleared of any excess roofing material prior to initial use. Failure to do so may result in excessive water buildup due to restriction of flow.