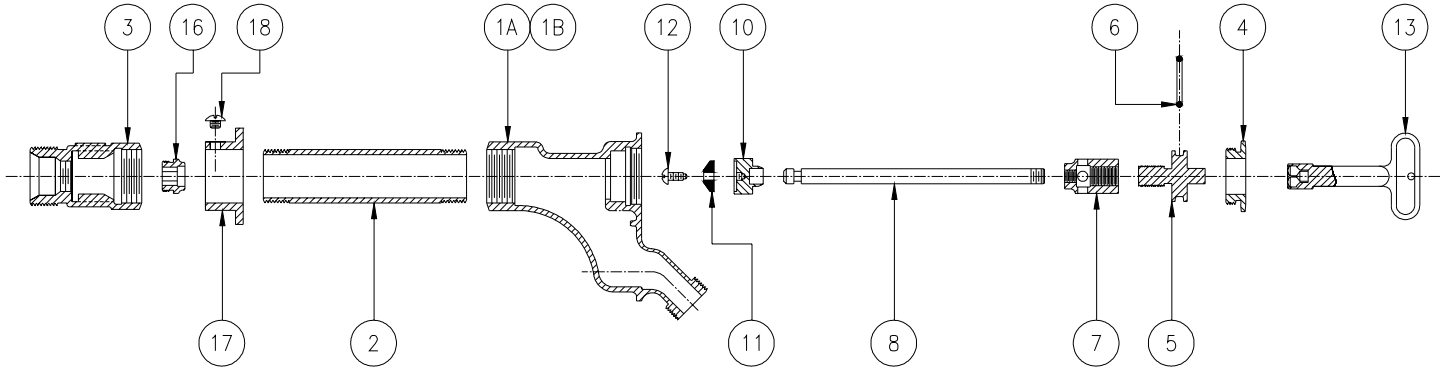
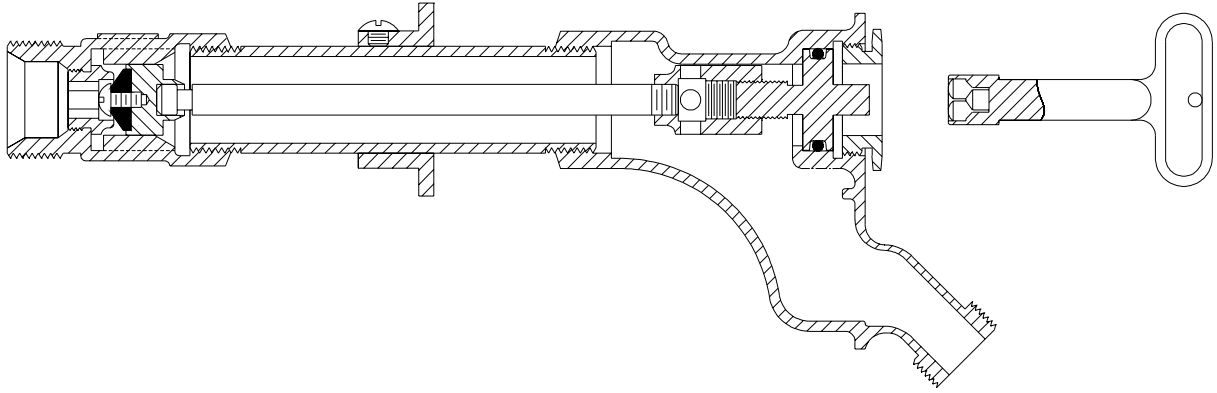




Z1315 WALL HYDRANT ASSEMBLY



LIST OF MATERIAL			
IT.	QTY	PART NO.	DESCRIPTION
1A	1	25261-001	HEAD 3/4" HOSE CONN.
1B	1	25261-002	HEAD 1" HOSE CONN.
2	1	50270-XXX	CASING
3	1	31258-001	VALVE HOUSING
4	1	22156-002	FACE NUT
* 5	1	25049-001	OPERATING SCREW
* 6	1	23750-028	O-RING
* 7	1	25147-001	OPERATING COUPLING

LIST OF MATERIAL			
IT.	QTY	PART NO.	DESCRIPTION
8	1	45042-XXX	OPERATING ROD
10	1	25050-001	WASHER GUIDE
* 11	1	23075-001	WASHER
* 12	1	14853-042	SCREW #10-24 N.C.
* 13	1	59546-001	KEY
* 16	1	25262-001	REMOVABLE SEAT
17	1	50268-001	WALL CLAMP (OPT)
18	1	26050-004	WALL CLAMP SCREW (OPT)

* ITEMS ARE AVAILABLE IN -RK REPAIR KIT OPTION BAG #66955-203-9.

Form # H19	Date: 10/29/03	C.N. No. 91517	Rev.
-------------------	-----------------------	-----------------------	-------------