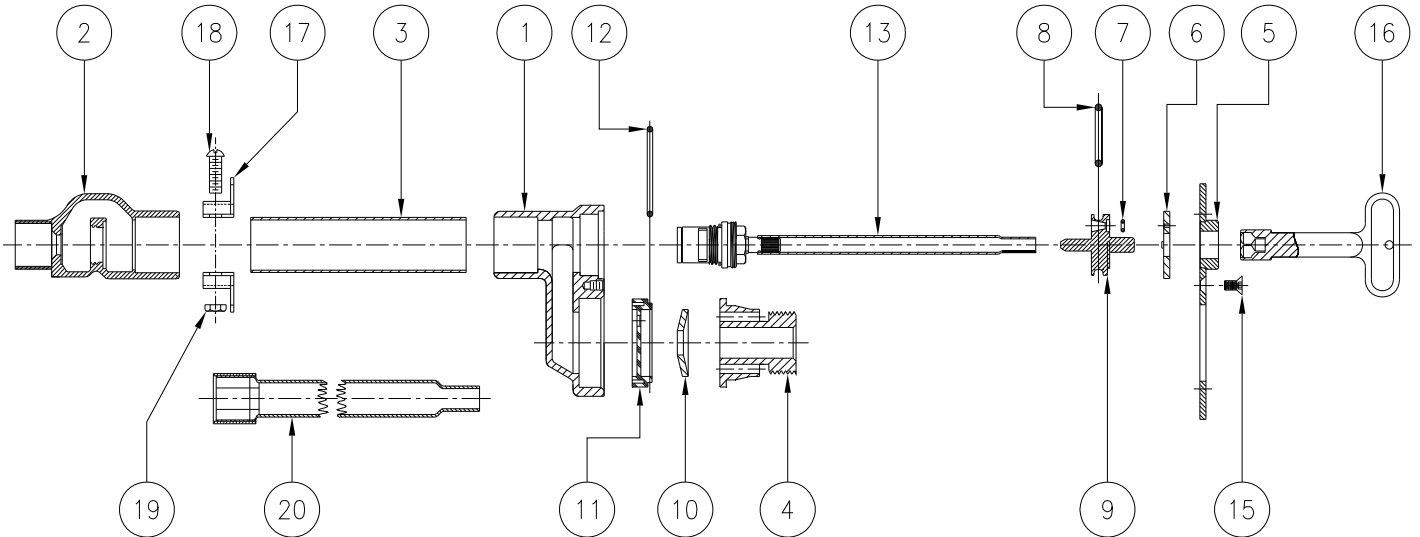
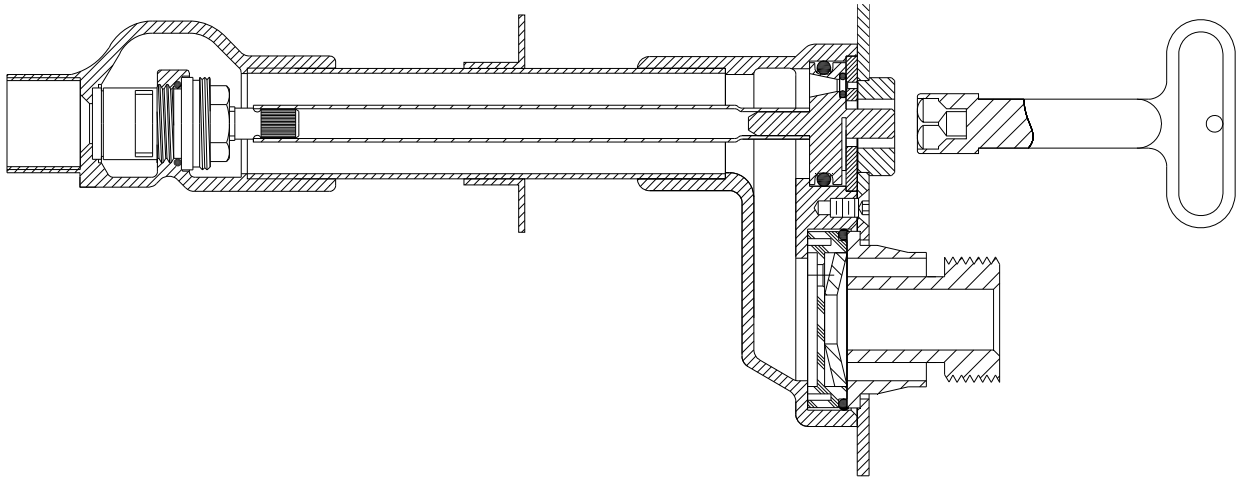




# Z1321 WALL HYDRANT ASSEMBLY



LIST OF MATERIAL			
IT.	QTY	PART NO.	DESCRIPTION
1	1	59634-001	HEAD
2	1	59629-004	CARTRIDGE HOUSING
3	1	60225-XXX	CASING
4	1	50799-005	3/4" NOZZLE
5	1	56115-003	FACEPLATE
* 6	1	60228-001	RETAINING WASHER
* 7	1	23750-232	O-RING
* 8	1	23750-028	O-RING
* 9	1	60227-002	OPERATING COUPLING
* 10	1	50785-001	"EQUA-BALANCE" SEAL

LIST OF MATERIAL			
IT.	QTY	PART NO.	DESCRIPTION
11	1	50819-001	DISC
* 12	1	23750-204	DISC O-RING
13	1	61402-XXX	CARTRIDGE/TUBE ASSEMBLY
14			
15	5	22698-047	FACEPLATE SCREW
* 16	1	59546-001	KEY
17	2	56071-002	WALL CLAMP (OPT)
18	2	14853-046	CLAMP SCREW (OPT)
19	2	14850-002	CLAMP NUT (OPT)
20	1	62078-XXX	CARTRIDGE WRENCH (OPT)

\* ITEMS ARE AVAILABLE IN -RK REPAIR KIT OPTION BAG #66955-195-9.

<b>Form #</b> H21	<b>Date:</b> 01/20/09	<b>C.N. No.</b> 99588	<b>Rev.</b> A
-------------------	-----------------------	-----------------------	---------------