



Z1335

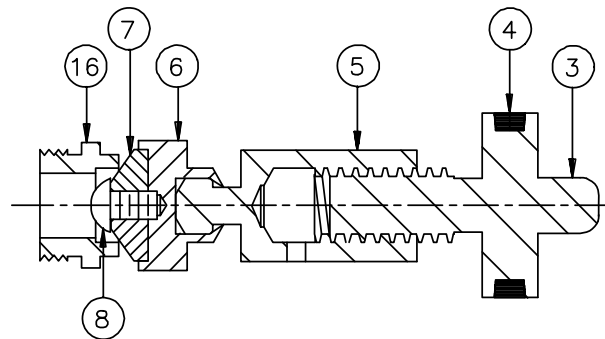
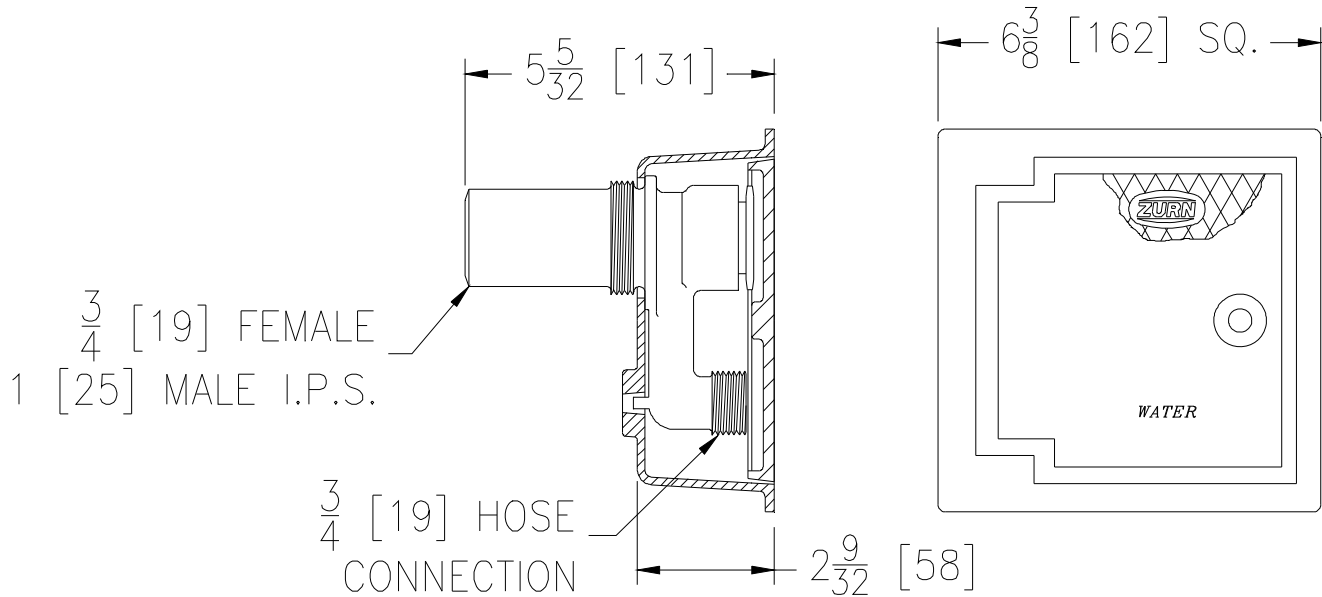
WALL HYDRANT

Encased, Moderate Climate

SPECIFICATION SHEET

TAG _____

Dimensional Data (inches and [mm]) are Subject to Manufacturing Tolerances and Change Without Notice



INTERNAL PARTS

Wall Thickness In Inches	Approx. Wt. Lbs. [kg]
6 [152]	8 [4]

ENGINEERING SPECIFICATION: ZURN Z1335 Encased flush wall hydrant, for moderate climate and interior wall installation. Complete with all bronze interior parts, non-turning operating coupling with free-floating compression closure valve and replaceable bronze seat and seat washer, and 3/4 [19] female IP inlet. Nickel bronze box and hinged cover with operating key lock and "WATER" cast on cover.

OPTIONS (Check/specify appropriate options)

SUFFIXES

- ___ -CI D.C.C.I. Box and Cover
- ___ -CL Cylinder Lock
- ___ -PB Polished Bronze Face
- ___ -RB Plain Bronze Face
- ___ -RK Hydrant Parts Repair Kit
- ___ -34FS 3/4 [19] Solder Female Inlet Adapter
- ___ -34UN 3/4 [19] IP 90° Inlet Elbow w/Union Nut

PARTS LIST

Item	Name	Quan.
3	Operating Screw	1
4	O-Ring	1
5	Operating Coupling	1
6	Washer Guide	1
7	Washer	1
8	Screw	1
16	Removable Seat	1

REV. F DATE: 10/22/10 C.N. NO. 111944

DWG. NO. 58876 PRODUCT NO. Z1335

*WHEN ORDERING REPLACEMENT PARTS SPECIFY Y DIM.

ZURN INDUSTRIES, LLC. ♦ SPECIFICATION DRAINAGE OPERATION ♦ 1801 Pittsburgh Ave. ♦ Erie, PA 16514

Phone: 814/455-0921 ♦ Fax: 814/454-7929 ♦ World Wide Web: www.zurn.com

In Canada: ZURN INDUSTRIES LIMITED ♦ 3544 Nashua Drive ♦ Mississauga, Ontario L4V1L2 ♦ Phone: 905/405-8272 Fax: 905/405-1292