

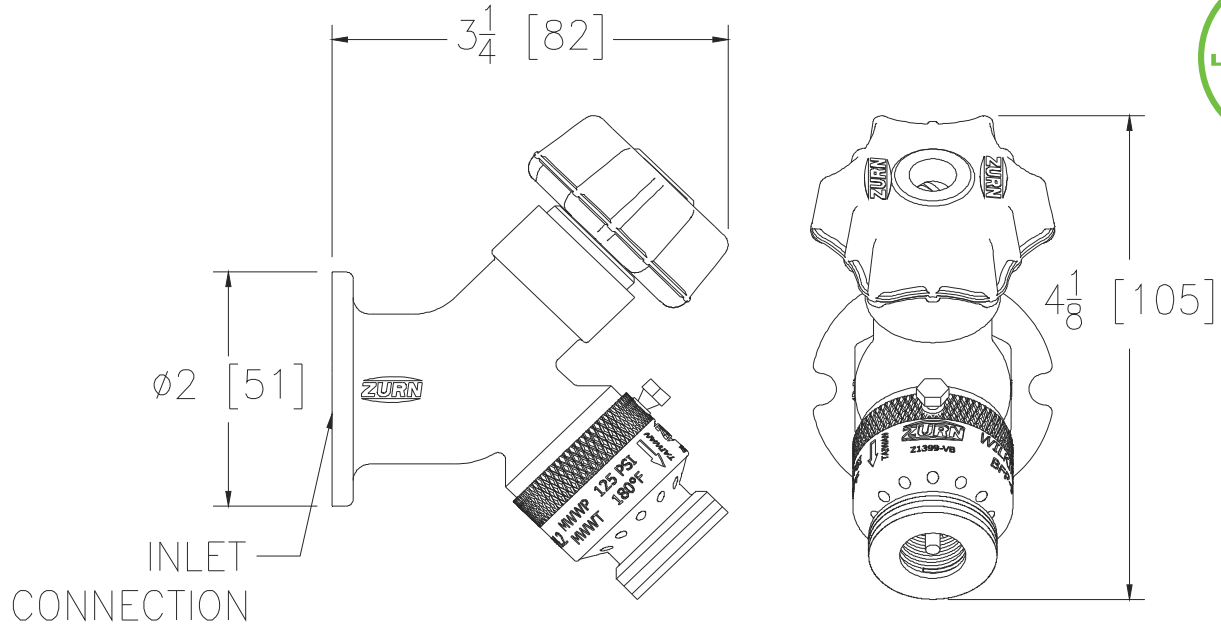


Z1341XL WALL FAUCET

SPECIFICATION SHEET

TAG _____

Dimensional Data (inches and [mm]) are Subject to Manufacturing Tolerances and Change Without Notice



-P12 and -P34 Inlet Connection Shown

Inlet Connection	Inlet Description in [mm]	Approx. Wt. lbs [kg]
___ -C12	1/2 [13] Solder x 3/4 [19] Solder	2 [1]
___ -C12-PX	1/2 [13] PEX	2 [1]
___ -CP12	1/2 [13] Solder x 1/2 [13] MPT	2 [1]
___ -P12	1/2 [13] FPT	2 [1]
___ -P34	3/4 [19] FPT	2 [1]

ENGINEERING SPECIFICATION: ZURN Z1341XL
Exposed, lead-free, anti-siphon, moderate climate wall hydrant for residential and light commercial applications. Hydrant features Z1399-VB external vacuum breaker with 3/4" [19] male hose connection, bronze and stainless steel interior components, vandal resistant operating stem, and secured wheel-type handle. Hydrant is finished with rough bronze exterior with a choice of five different inlet connection options and includes an optional loose key.

OPTIONS (Check/specify appropriate options)

SUFFIXES

- ___ -PB Polished Bronze Finish
- ___ -PC Polished Chrome Finish
- ___ -RC Rough Chrome Finish
- ___ -RK Hydrant Parts Repair Kit

Zurn "XL" Lead-Free compliant products are a line of durable plumbing products designed and manufactured to comply with state laws and local codes that mandate maximum allowable lead content levels. Zurn "XL" products are manufactured in accordance to the Federal SWDA section 1417.

* Regularly furnished unless otherwise specified.