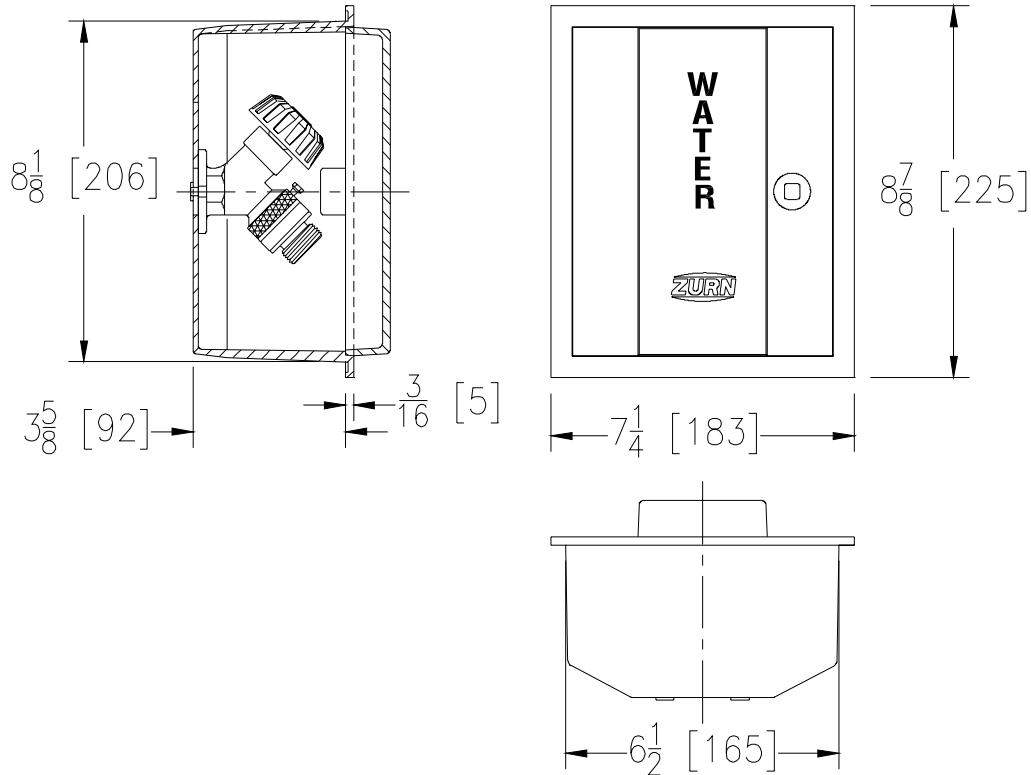


Dimensional Data (inches and [mm]) are Subject to Manufacturing Tolerances and Change Without Notice



Inlet Connection	Inlet Description in Inches	Approx. Wt. Lbs. [kg]
___ -C12	1/2 [13] Solder x 3/4 [19] Solder	4 [2]
___ -C12-PX	1/2 [13] PEX	4 [2]
___ -CP12	1/2 [13] Solder x 1/2 [13] MPT	4 [2]
___ -P12	1/2 [13] FPT	4 [2]
___ -P34	3/4 [19] FPT	4 [2]

ENGINEERING SPECIFICATION: Z1342 Encased, anti-siphon, wall faucet for use in moderate climate installation, complete with Z1399-VB external vacuum breaker, all bronze interior components, vandal-resistant operating stem, rough bronze exterior and 3/4 [19] male hose connection. Chrome-plated rough cast bronze box and hinged cover with loose key included. Loose key provided with each hydrant as standard. Furnished with choice of five different inlet connections.

OPTIONS (Check/specify appropriate options)

SUFFIXES

- ___ -CL Cylinder Lock
- ___ -RK Hydrant Parts Repair Kit



1011

(Hose Connection Vacuum Breaker)