



Z1350

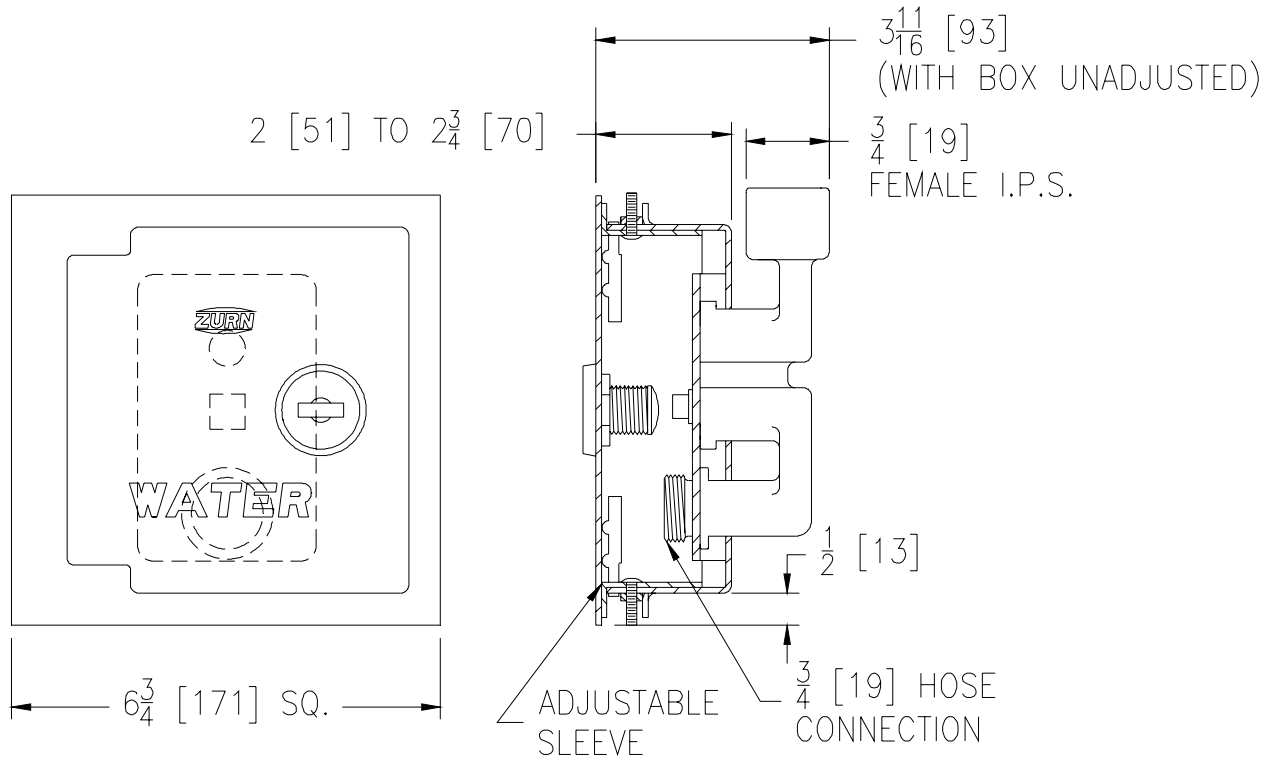
NARROW WALL HYDRANT

Encased, Moderate Climate

SPECIFICATION SHEET

TAG _____

Dimensional Data (inches and [mm]) are Subject to Manufacturing Tolerances and Change Without Notice



Wall Thickness Inches	Approx. Wt. Lbs. [kg]
4 [102]	4 [2]

ENGINEERING SPECIFICATION: ZURN Z1350 Encased moderate climate wall hydrant for narrow wall installation. Complete with bronze body, all bronze interior parts, replaceable seat washer, screwdriver operated stop valve in supply, key operated control valve, and 3/4 [19] IP female inlet and 3/4 [19] male hose connection standard. Adjustable stainless steel box furnished with hinged cover, cylinder lock and "WATER" stamped on cover.

OPTIONS (Check/specify appropriate options)

SUFFIXES

- ___ -RK Hydrant Parts Repair Kit
- ___ -VB 3/4 [19] Adapter Vacuum Breaker
- ___ -34FS 3/4 [19] Solder Female Inlet Adapter
- ___ -34UN 3/4 [19] IP 90° Inlet Elbow Adapter

****NOTE:** The adjustable sleeve on the stainless steel box is provided with a gasket as standard, but, additional caulking of all inside joints is required (by others) after the hydrant box has been properly set. Caulking should be performed on all open seams, including the seams where the gasket is present.

REV. G	DATE: 6/4/09	C.N. NO. 120051
DWG. NO. 58877		PRODUCT NO. Z1350