



Z1365

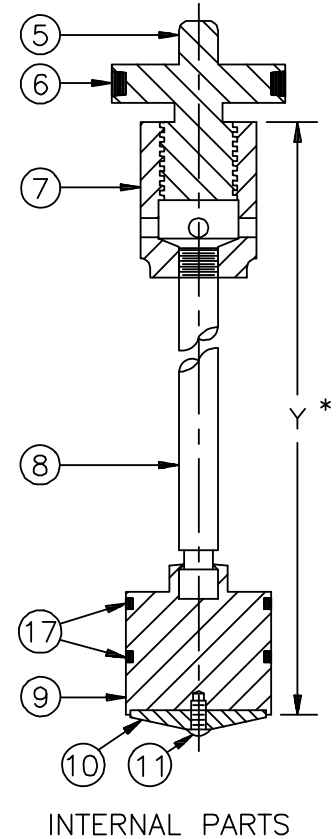
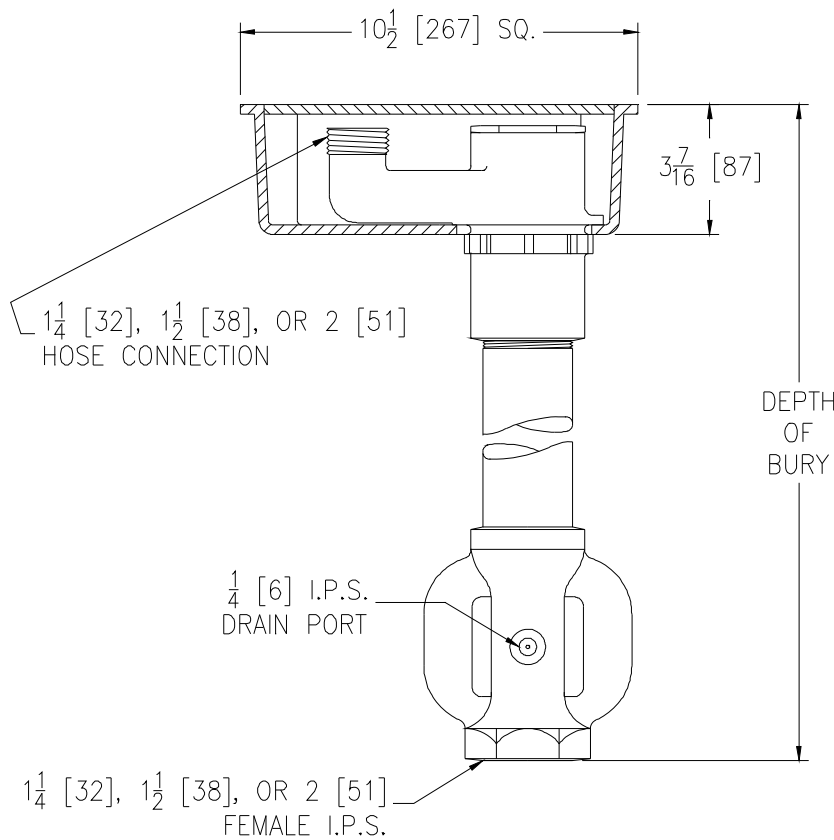
GROUND HYDRANT

Encased, Flush Type, Non-Freeze

SPECIFICATION SHEET

TAG _____

Dimensional Data (inches and [mm]) are Subject to Manufacturing Tolerances and Change Without Notice



Depth of Bury Feet	Approx. Wt. Lbs.[kg]
2 [610]	42 [19]
3 [914]	46 [21]
4 [1219]	50 [23]
5 [1524]	54 [25]
6 [1829]	58 [26]
7 [2134]	62 [28]
8 [2438]	66 [30]

ENGINEERING SPECIFICATION: ZURN Z1365 Encased, non-freeze ground hydrant for flush with grade or finished floor installation. Complete with galvanized steel casing, all bronze interior parts, bronze seat and replaceable seat washer, and non-turning operating rod with free-floating compression closure valve with 1-1/4 [32], 1-1/2 [38] or 2 [51] connection. Dura-Coated cast iron box and hinged scoriated cover with operating "T" handle key lock and "WATER" cast on cover. Hydrant is equipped with a tapped 1/4 [6] drain port in valve housing.

Note:

- IMPORTANT** Hydrant must be opened one turn minimum to seal drain port during use.

CONNECTION TYPE:

- _____ 1-1/4 [32] Hose Connection
- _____ 1-1/2 [38] Hose Connection
- _____ 2 [51] Hose Connection

OPTIONS (Check/specify appropriate options)

SUFFIXES

- _____ -BC Bronze Casing
- _____ -DP14 1/4 [6] IP Drain Port in Box
- _____ -NB Polished Nickel Bronze Face
- _____ -PB Polished Bronze Face
- _____ -RB Plain Bronze Face
- _____ -RK Hydrant Parts Repair Kit

PARTS LIST

Item	Name	Quan.
5	Operating Screw	1
6	O-Ring	1
7	Operating Coupling	1
8	Operating Rod	1
9	Washer Guide	1
10	Washer (neoprene)	1
11	Screw	1
17	O-Ring	2

REV. G DATE: 10/22/10 C.N. NO. 111948

DWG. NO. 58879

PRODUCT NO. Z1365

*WHEN ORDERING REPLACEMENT PARTS SPECIFY Y DIM.