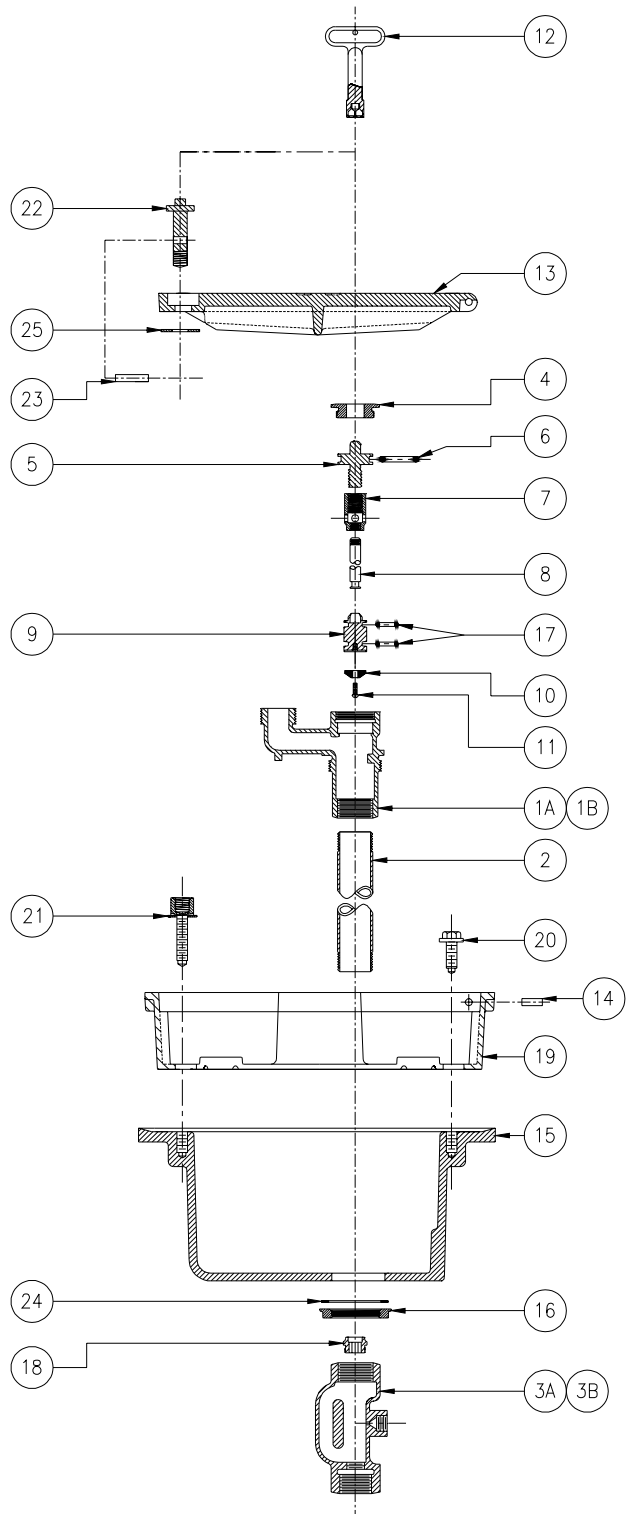
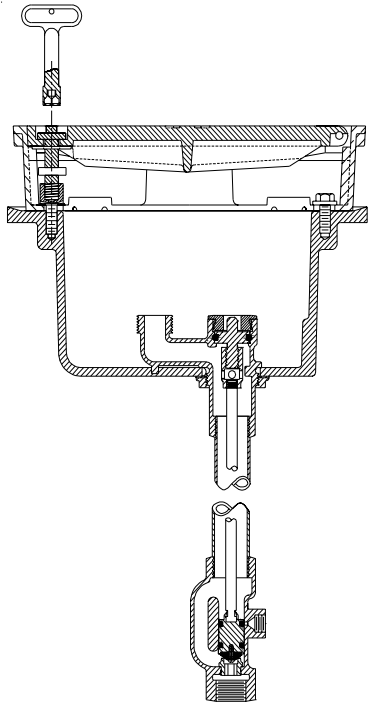




Z1370 GROUND HYDRANT ASSEMBLY



LIST OF MATERIAL

IT.	QTY	PART NO.	DESCRIPTION
1A	1	25302-001	HEAD 3/4" HOSE CONN.
1B	1	25303-001	HEAD 1" HOSE CONN.
2	1	50270-XXX	CASING
3A	1	25324-003	VALVE HSG. 3/4" FEMALE NPT INLET
3B	1	25324-004	VALVE HSG. 1" FEMALE NPT INLET
4	1	22156-002	FACE NUT
* 5	1	25049-001	OPERATING SCREW
* 6	1	23750-028	O-RING
* 7	1	25147-001	OPERATING COUPLING
8	1	33375-XXX	OPERATING ROD
9	1	25323-001	WASHER GUIDE
* 10	1	23075-001	WASHER
* 11	1	14853-042	SCREW #10-24 N.C.
* 12	1	59546-001	KEY
13	1	61755-003	HYDRANT COVER
14	2	06567-065	HINGE PIN
15	1	32714-013	HYDRANT BODY
16	1	25242-001	LOCKNUT
* 17	2	23750-036	O-RING
* 18	1	25262-001	REMOVABLE SEAT
19	1	56499-002	FRAME
20	3	26050-043	CAP SCREW 3/8-16 N.C.
21	1	56711-001	LOCKING COUPLING
22	1	56712-001	LOCKING PIN SCREW
23	1	25307-001	LOCKING PIN
24	1	21425-060	GASKET
25	1	14858-005	WASHER

* ITEMS ARE AVAILABLE IN -RK REPAIR KIT OPTION BAG #66955-204-9.

Form # H29	Date: 10/31/03	C.N. No. 91527	Rev.
-------------------	-----------------------	-----------------------	-------------