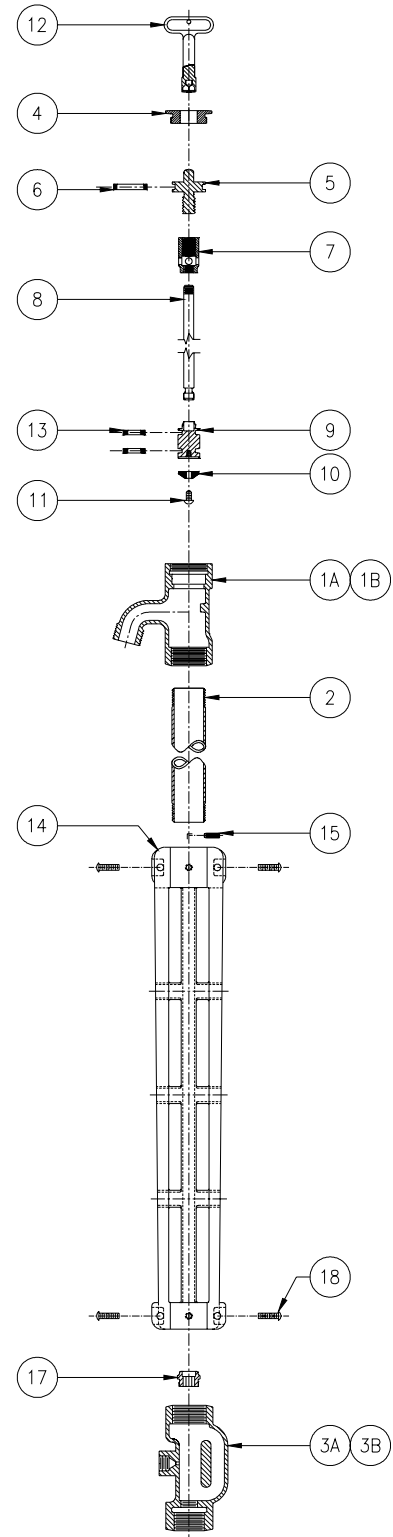
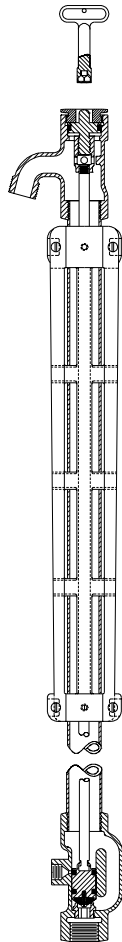




Z1385 POST HYDRANT ASSEMBLY



LIST OF MATERIAL

| IT. | QTY | PART NO. | DESCRIPTION |
|------|-----|-----------|-------------------------------------|
| 1A | 1 | 25325-001 | HEAD 3/4" HOSE CONN. |
| 1B | 1 | 25326-001 | HEAD 1" HOSE CONN. |
| 2 | 1 | 50270-XXX | CASING |
| 3A | 1 | 25324-003 | VALVE HOUSING 3/4" FEMALE NPT INLET |
| 3B | 1 | 25324-004 | VALVE HOUSING 1" FEMALE NPT INLET |
| 4 | 1 | 22156-002 | FACE NUT |
| * 5 | 1 | 25049-001 | OPERATING SCREW |
| * 6 | 1 | 23750-028 | O-RING |
| * 7 | 1 | 25147-001 | OPERATING COUPLING |
| 8 | 1 | 25328-XXX | OPERATING ROD |
| 9 | 1 | 25323-001 | WASHER GUIDE |
| * 10 | 1 | 23075-001 | WASHER |
| * 11 | 1 | 14853-042 | SCREW #10-24 N.C. |
| * 12 | 1 | 59546-001 | KEY |
| * 13 | 2 | 23750-036 | O-RING |
| 14 | 2 | 31769-002 | CASING GUARD |
| 15 | 2 | 18006-045 | CASING GUARD SET SCREW |
| * 17 | 1 | 25262-001 | REMOVABLE SEAT |
| 18 | 4 | 14853-044 | SCREW #10-24 N.C. |

* ITEMS ARE AVAILABLE IN -RK REPAIR KIT OPTION BAG #66955-204-9.

| | | | |
|-------------------|-----------------------|-----------------------|-------------|
| Form # H31 | Date: 11/03/03 | C.N. No. 91529 | Rev. |
|-------------------|-----------------------|-----------------------|-------------|