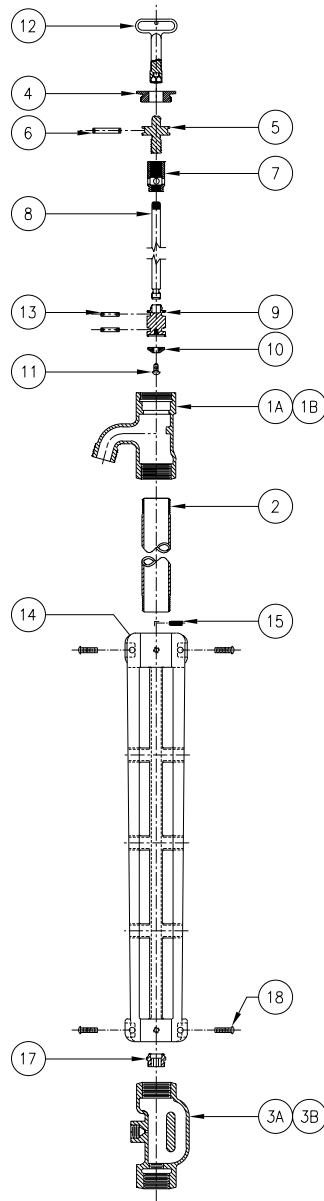
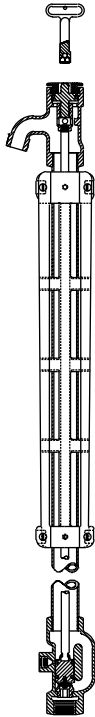


Z1385 POST HYDRANT Parts Assembly, Parts List, and Operating Rod Assemblies

Z1385 Parts Assembly



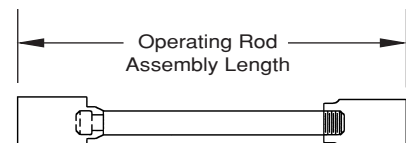
Z1385 Parts List

Item	Description	Qty.	Part No.
1A	Head – 3/4" Hose Connection	1	25325-001
1B	Head – 1" Hose Connection	1	25326-001
2	Casing	1	50270-XXX
3A	Valve Housing – 3/4" Female NPT Inlet	1	25324-003
3B	Valve Housing – 1" Female NPT Inlet	1	25324-004
4	Face Nut	1	22156-002
*5	Operating Screw	1	25049-001
*6	O-Ring	1	23750-028
*7	Operating Coupling	1	25147-001
8	Operating Rod	1	25328-XXX
9	Washer Guide	1	25323-001
*10	Washer	1	23075-001
*11	Screw #10-24 NC	1	14853-042
*12	Key	1	59546-001
*13	O-Ring	2	23750-036
14	Casing Guard	2	31769-002
15	Casing Guard Setscrew	2	18006-045
*17	Removable Seat	1	25262-001
18	Screw #10-24 NC	4	14853-044

*Items are available in -RK Repair Kit Option bag (#66955-204-9).

Operating Rod Assemblies

2' Bury	54-1/4"
3' Bury	66-1/4"
4' Bury	78-1/4"
5' Bury	90-1/4"
6' Bury	102-1/4"
7' Bury	114-1/4"
8' Bury	126-1/4"
9' Bury	138-1/4"
10' Bury	150-1/4"



Z1385 POST HYDRANT Troubleshooting Guide

Z1385 Troubleshooting Guide

PROBLEM	CAUSE	SOLUTION
Hydrant will not operate when turned on.	Water supply is shut off.	Turn on water supply.
Cannot turn the hydrant on with key.	Hydrant hasn't been used for a long time – O-Ring has adhered to the operating screw and head.	Follow steps 1-2, 4, and 7-8 of the Service Guide.
Water does not shut off completely when hydrant is turned off.	Debris between seat and washer.	Follow steps 1-3 and 6-8 of the Service Guide. Clean by turning water supply on and flush hydrant.
	Washer is worn out.	Follow steps 1-3 and 5-8 of the Service Guide.
	Wire draw in seat.	Replace seat.
Water is flowing out of the hydrant drainage port when the hydrant is turned on.	Washer guide O-Rings are broken or missing.	Follow steps 1-3 and 5-8 of the Service Guide.
Hydrant exhibits low flow.	Water supply to hydrant is restricted.	Check water supply to ensure that all upstream valves are fully open.

Z1385 POST HYDRANT Service Guide

Z1385 Service Guide

Step 1: Shutting Off the Water Supply to the Hydrant

Locate the supply shut-off valve and rotate until water supply is off.

Step 2: Removing the Face Nut and Adjacent Components

Using crescent wrench or 1-1/2 inch open-end wrench, remove the face nut (4) from head (1) by turning counterclockwise.

Step 3: Removing the Internal Operating Assembly

The internal operating assembly (5-11 and 13) can be removed by gripping the square end of the operating screw (5) with a pair of pliers and pulling straight out.

If the operating screw O-Ring was not the reason for service – skip to step 5.

Step 4: Replacing the Operating Screw O-Ring

Remove the operating screw (5) from operating coupling (7) by turning clockwise and slip the old O-Ring (6) off, and replace with new O-Ring (6). Reinstall operating screw (5) into operating coupling (7) by turning counterclockwise. **(Note:** Lubricate the operating screw (5) threads and the O-Ring (6) with Lubriplate FGL-2 if needed.)

If the hydrant shutoff washer and washer guide O-Rings were not the reason for service – skip to step 8.

Step 5: Replacing the Hydrant Shutoff Washer and Washer Guide O-Rings

Remove #10-24 NC x 3/8 screw (11) using a flat screwdriver and turning screw (11) counterclockwise, remove washer (10) and replace with new washer (10) and new screw (11) turning screw clockwise until tight. Remove old O-Rings (13) and replace with new O-Rings (13). **(Note:** Lubricate the O-Rings (13) with Lubriplate FGL-2 if needed.)

Step 6: Replacing the Internal Operating Assembly

There is a flat or a V-notched boss inside of the hydrant head (1) that keeps the operating coupling (7) from rotating when hydrant is turned on and off. With operating screw (5) turned counterclockwise into operating coupling (7) until it stops, and making sure that a flat side or corner of operating coupling (7) lines up with appropriate boss, reinsert the internal operating assembly into the hydrant.

Step 7: Replacing the Face Nut

Insert face nut (4) into head (1), and rotate clockwise until hand tight, then using a crescent wrench or 1-1/2 inch open end wrench, snug nut (4) tight.

Step 8: Turning On the Water Supply

Locate the water supply shut-off valve and rotate until water supply is on.

Z1385 POST HYDRANT 3/4" Hose Connection Chart and Graph

Z1385 Post Hydrant – 3/4" Hose Connection				
Static Pressure (psi)	Running Inlet Pressure (psi)	Running Outlet Pressure (psi)	Flow Rate (gpm)	Pressure Drop Across Unit (psi)
10	5.2	0.2	5.1	4.9
20	13.8	2.0	8.3	11.8
30	22.2	3.7	10.6	18.5
40	31.0	5.6	12.5	25.4
50	39.3	7.3	14.1	32.0
60	47.0	9.0	15.4	38.0
70	58.7	12.3	17.2	46.4
80	67.0	14.2	18.4	52.7
90	74.3	15.8	19.4	58.5

