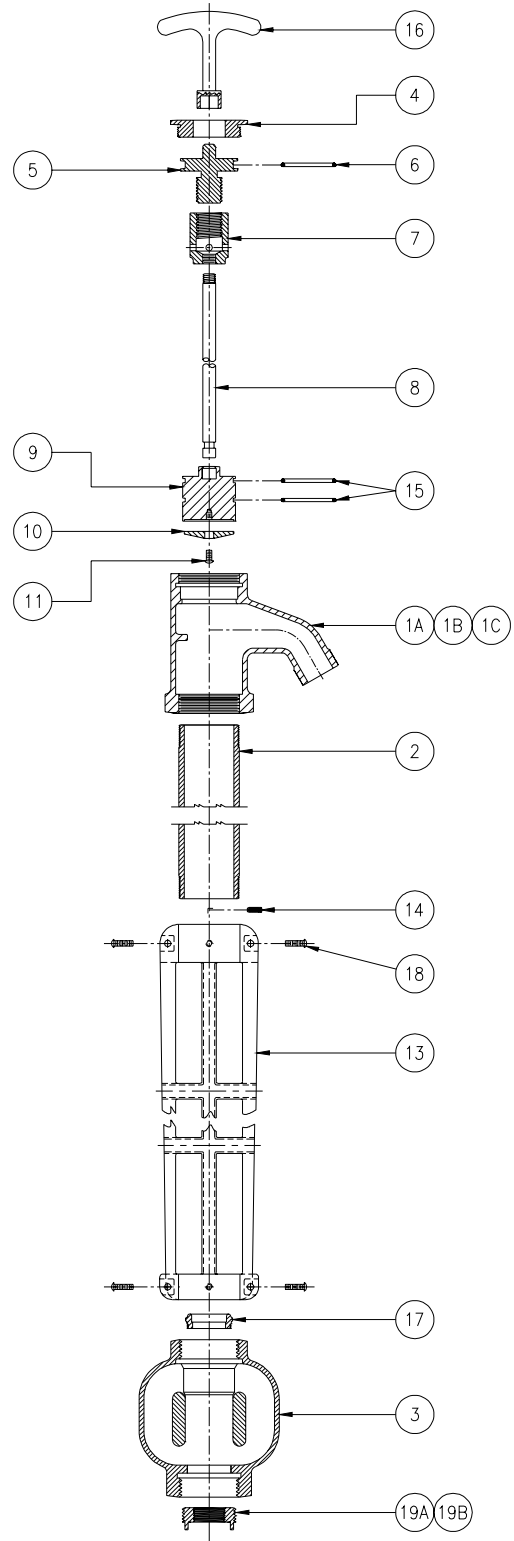
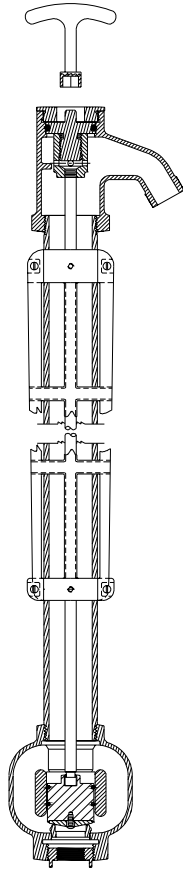




Z1390 POST HYDRANT ASSEMBLY



LIST OF MATERIAL

IT.	QTY	PART NO.	DESCRIPTION
1A	1	25519-003	HEAD 1 1/4" HOSE CONN.
1B	1	25519-002	HEAD 1 1/2" HOSE CONN.
1C	1	25519-001	HEAD 2" HOSE CONN.
2	1	25515-XXX	CASING
3	1	25517-003	VALVE HOUSING
4	1	25505-001	FACE NUT
* 5	1	25506-001	OPERATING SCREW
* 6	1	23750-037	O-RING
* 7	1	25507-001	OPERATING COUPLING
8	1	25516-XXX	OPERATING ROD
9	1	31436-001	WASHER GUIDE
* 10	1	25520-001	WASHER
* 11	1	14853-042	SCREW #10-24 N.C.
13	2	38489-001	CASING GUARD
14	2	18006-045	CASING GUARD SET SCREW
* 15	2	23750-040	O-RING
* 16	1	11600-001	KEY
* 17	1	25510-001	REMOVABLE SEAT
18	4	14853-046	SCREW #10-24 N.C.
19A	1	23471-007	1 1/2" X 2" BUSHING
19B	1	23471-009	1 1/4" X 2" BUSHING

* ITEMS ARE AVAILABLE IN -RK REPAIR KIT OPTION BAG #66955-200-9.

Form # H32	Date: 11/03/03	C.N. No. 91530	Rev.
-------------------	-----------------------	-----------------------	-------------