



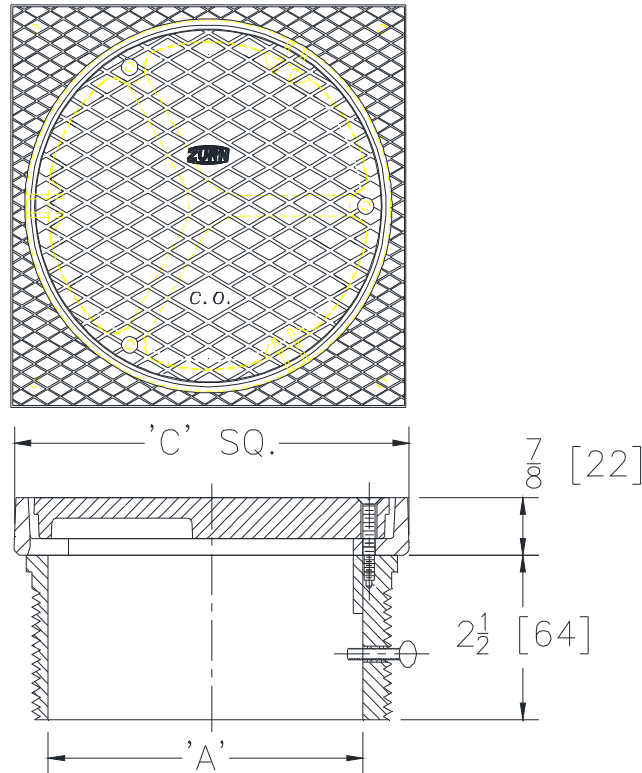
Z1404-T

HEAVY-DUTY FLOOR ACCESS HOUSING WITH SQUARE TOP

SPECIFICATION SHEET

TAG _____

Dimensional Data (inches and [mm]) are Subject to Manufacturing Tolerances and Change Without Notice



Dimensions In Inches		Approx. Wt. Lbs. [kg]
Pipe Size A	C	
2 [51]	5-1/8 [130]	2 [1]
3 [76]	6-1/8 [156]	3 [1]
4 [102]	7-1/4 [184]	4 [2]
5 [127]	8-1/4 [210]	7 [3]
6 [152]	9-1/4 [235]	8 [4]

ENGINEERING SPECIFICATION: ZURN Z1404-T

Floor access housing, Dura-coated cast iron with square frame and scoriated cast iron heavy-duty secured cover complete with adjusting setscrews.

OPTIONS (Check/specify appropriate options)

PIPE SIZE

2-3-4-5-6 [51-76-102-127-152]

(Specify size) **OUTLET**

____ -SJ Slip Joint

PREFIXES

- ____ Z Dura-Coated Cast Iron*
- ____ ZB D.C.C.I. Body with Polished Bronze Light-Duty Top (Deduct 1/2 [13] from 7/8 [22] dim.)
- ____ ZN D.C.C.I. Body with Polished Nickel Bronze Light-Duty Top (Deduct 1/2 [13] from 7/8 [22] dim.)
- ____ ZS D.C.C.I. Body with Polished Stainless Steel Heavy-Duty Top (Add 3/16 [5] to 7/8 [22] dim.)

SUFFIXES

- ____ -HD Heavy-Duty Veneer Top (Add 1/8 [3] to 2-1/2 [64] Dim. for (ZB and ZN only)
- ____ -VP Vandal-Proof Screws

* Regularly furnished unless otherwise specified.