

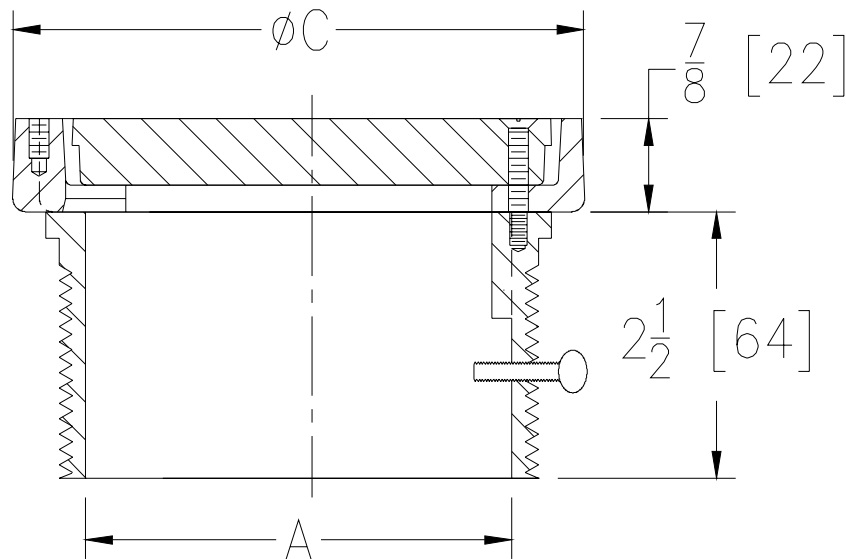


**Z1404**

TAG \_\_\_\_\_

**HEAVY-DUTY FLOOR ACCESS HOUSING**

Dimensional Data (inches and [ mm ]) are Subject to Manufacturing Tolerances and Change Without Notice



Dimensions In Inches		Approx. Wt. Lbs. [kg]
A-Pipe Size	C	
2 [51]	5-1/8 [130]	2 [1]
3 [76]	6-1/8 [156]	3 [1]
4 [102]	7-1/4 [184]	4 [2]
5 [127]	8-1/4 [210]	7 [3]
6 [152]	9-1/4 [235]	8 [4]

**ENGINEERING SPECIFICATION: ZURN Z1404**

Floor access housing, Dura-coated cast iron with round frame and scoriated cast iron heavy-duty secured cover complete with adjusting setscrews.

**OPTIONS** (Check/specify appropriate options)

**ACCESSHOUSING**

2 thru 6 [51 thru 152]

(Specify size) **OUTLET**

\_\_\_ -SJ Slip Joint

**PREFIXES**

- \_\_\_ Z Dura-Coated Cast Iron\*
- \_\_\_ ZB D.C.C.I. Body with Polished Bronze Light-Duty Top ( Deduct 1/2 [13] from 7/8 [22] Dim.)
- \_\_\_ ZN D.C.C.I. Body with Polished Nickel Bronze Light-Duty Top ( Deduct 1/2 [13] from 7/8 [22] Dim.)
- \_\_\_ ZS D.C.C.I. Body with Polished Stainless Steel Heavy-Duty Top (Add 3/16 [5] to 7/8 [22] Dim.)

**SUFFIXES**

- \_\_\_ -HD Heavy-Duty Veneer Top (Add 1/8 [3] to 2-1/2 [64] Dim. for (ZB and ZN only)
- \_\_\_ -T Square Top
- \_\_\_ -VP Vandal-Proof Screws

\*REGULARLY FURNISHED UNLESS OTHERWISE SPECIFIED

<b>REV. E</b>	<b>DATE: 11/03/10</b>	<b>C.N. NO. 120228</b>
<b>DWG. NO. 58760</b>	<b>PRODUCT NO. Z1404</b>	