

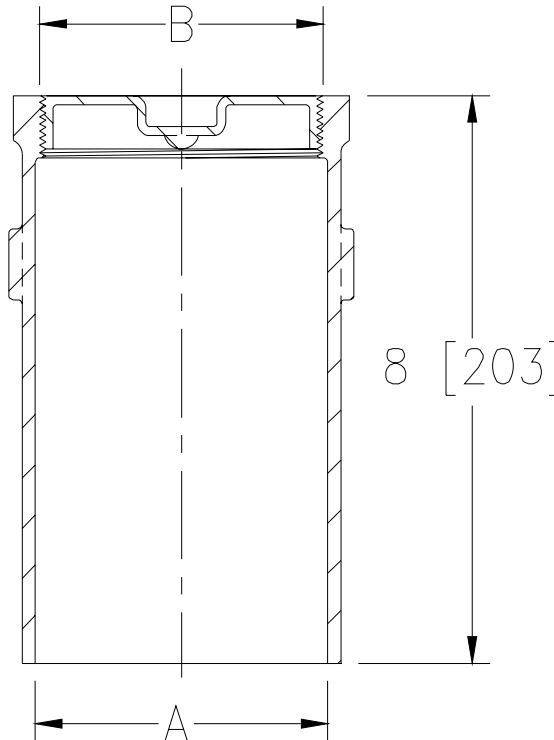


Z1449 CLEANOUT FERRULE WITH PLUG

SPECIFICATION SHEET

TAG _____

Dimensional Data (inches and [mm]) are Subject to Manufacturing Tolerances and Change Without Notice



A-Pipe Size Inches	B N.P.T.	Approx. Wt. Lbs. [kg]
2 [51]	1-1/2 [38]	4 [2]
3 [76]	2 [51]	6 [3]
4 [102]	3-1/2 [89]	8 [4]
5 [127]	3-1/2 [89]	10 [5]
6 [152]	3-1/2 [89]	13 [6]

ENGINEERING SPECIFICATION: ZURN Z1449

Cleanout Ferrule, Dura-Coated cast iron body with gas and watertight ABS countersunk plug.

OPTIONS (Check/specify appropriate options)

PIPE SIZE

2 thru 6 [51 thru 152]

OUTLET(Specify size)

_____ SP Spigot

PREFIXES

_____ Z Dura-Coated Cast Iron with ABS Plug*

SUFFIXES

- _____ -A Raised Head Plug
- _____ -BP Bronze Plug
- _____ -G Galvanized Cast Iron

REV. E	DATE: 11/05/10	C.N. NO. 120261
DWG. NO. 58770	PRODUCT NO. Z1449	

*REGULARLY FURNISHED UNLESS OTHERWISE SPECIFIED