



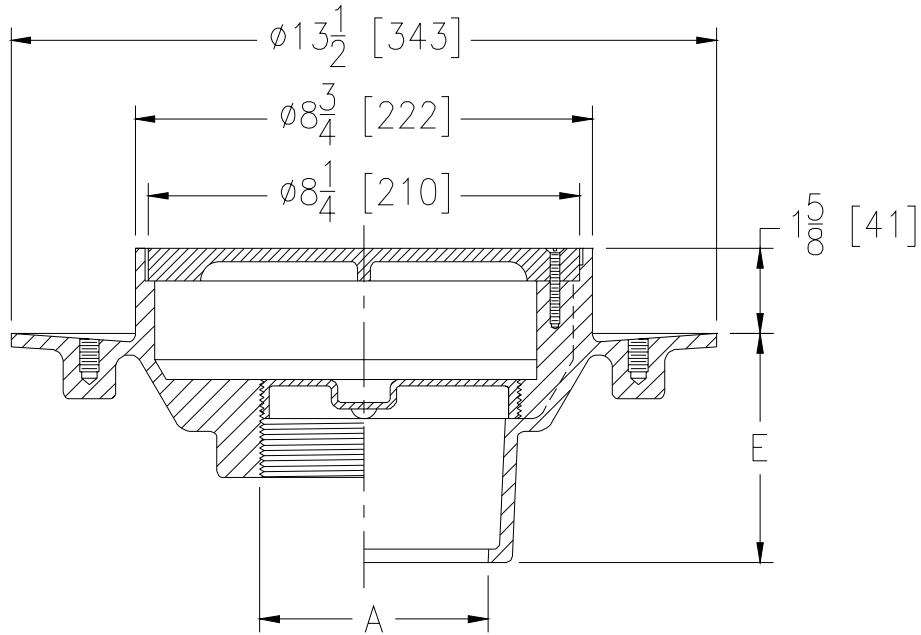
Z1455

FLOOR CLEANOUT WITH FLASHING FLANGE

SPECIFICATION SHEET

TAG _____

Dimensional Data (inches and [mm]) are Subject to Manufacturing Tolerances and Change Without Notice



A Pipe Size Inches	Approx. Wt. Lbs [kg]
2-3 [51-76]	30 [14]
4 [102]	31 [14]

ENGINEERING SPECIFICATION: ZURN Z1455

Floor cleanout, Dura-Coated cast iron body, gas and watertight ABS tapered thread plug and round scoriated cast iron cover, complete with flashing flange.

OPTIONS (Check/specify appropriate options)

PIPE SIZE

- 2-3-4 [51-76-102]
- 2 [51]
- 3 [76]
- 4 [102]

OUTLET (Specify size/type)

- _____ IC Inside Caulk
- _____ IP Threaded
- _____ IP Threaded
- _____ IP Threaded

'E' BODY HT. DIM.

- 4-3/8 [111]
- 2-1/4 [57]
- 2-1/2 [64]
- 2-3/4 [70]

PREFIXES

- _____ Z Dura-Coated Cast Iron Top*
- _____ ZB D.C.C.I. with Polished Bronze Scoriated Top (Add 3/16 [5] to 1-5/8 [41] Dim.)
- _____ ZN D.C.C.I. with Polished Nickel Bronze Scoriated Top (Add 3/16 [5] to 1-5/8 [41] Dim.)

SUFFIXES

- _____ -A Raised Head Plug
- _____ -C Clamp Collar
- _____ -DC Duresist Cover (Z Only)
- _____ -G Galvanized Cast Iron
- _____ -TS Top Secured with Slotted Screws
- _____ -VP Vandal-Proof Secured Top

REV. F	DATE: 11/05/10	C.N. NO. 120263
DWG. NO. 58772	PRODUCT NO. Z1455	

*REGULARLY FURNISHED UNLESS OTHERWISE SPECIFIED